

Contemporary design and clever features support modern style living.



Features

Bed, Bed Wing Panels, Shelf

Construction

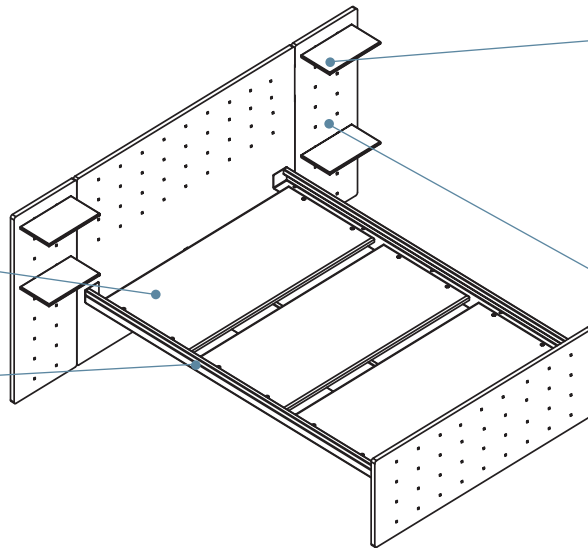
Headboard, footboard and wing panels are 1" hardwood veneer plywood. A fixed pattern of holes provide mounting points for moveable shelves.

Bed deck.

3-piece wood deck is fixed height.

Decorative side rail.

One-piece steel side rails secure to headboard and footboard with metal-to-metal fasteners. Steel side rails is silver powder coat with matching wood trim.



Movable metal shelves.

Can be positioned anywhere along the headboard, footboard and wing panels without any tools. 20" wide shelves can mount on headboard and footboard, only.

Wing panels.

Hinged wing panels attach to headboard to provide more mounting points for movable shelves.

Sizes

Available in twin and full.

Desk and Organizer

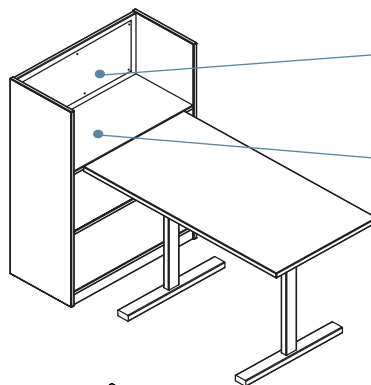
Desk Construction

1" laminate work surface with matching PVC edge band. Steel T-legs in silver powder coat.

Organizer Construction

Glue and dowel assembly

¾" hardwood veneer plywood with matching PVC edge band.

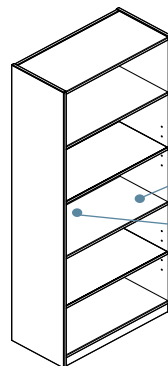


Optional tack board.

Provides a place to display personal items.

Fixed shelf.

Aligns with height of desk to extend the work surface.



Fixed shelf.

Aligns with height of desk to extend the work surface. The top and bottom shelves are also fixed. All other shelves are adjustable.

Optional tack board.

Provides a place to display personal items.

Features

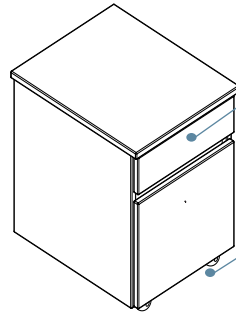
Mobile Pedestal

Construction

Glue and dowel assembly

3/4" hardwood veneer plywood with matching PVC edge band. Laminate top with matching PVC edge band.

Drawers have 3/4" veneer plywood removable fronts, 1/2" veneer plywood sides and 1/4" bottom with waterproof vinyl face; dove-tail joinery; and open 3/4 of their depth.



Box/ File drawers.

Have integral pulls and 3/4 extension epoxy coated drawer slides.

Casters.

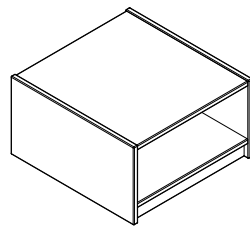
Allow for mobility. Mobile pedestal fits under desk or can be moved wherever storage is needed.

Under Bed Open Box

Construction

Glue and dowel assembly

3/4" hardwood veneer plywood with matching PVC edge band.



Under bed storage

Open storage with closed back keeps items organized. Four tuck under bed.

Stacking Drawers

Construction

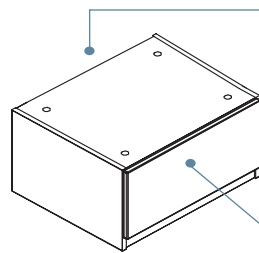
Glue and dowel assembly

3/4" hardwood veneer plywood with matching PVC edge band.

The drawer has 3/4" veneer plywood removable front, 1/2" veneer plywood sides and 1/4" bottom with waterproof vinyl face; dove-tail joinery and open to 3/4 of its depth.

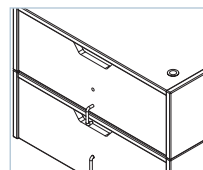
Stack or nest

Can be used side-by-side beneath bed or stacked 5-high.



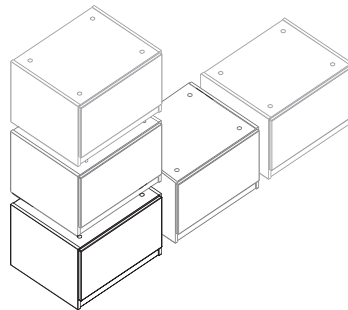
Integrated connector clip.

Located on the back side to link units when stacked.



Drawer.

Has integral pull and 3/4 extension epoxy coated drawer slides.



Features

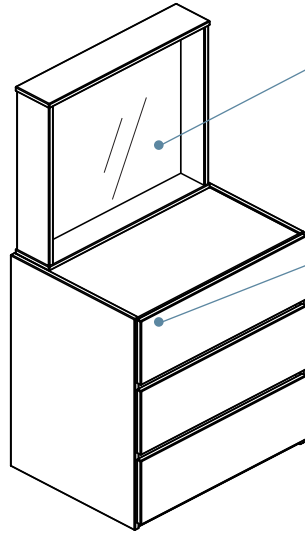
Chest and Mirror

Construction

Glue and dowel assembly

3/4" hardwood veneer plywood with matching PVC edge band. Laminate top with matching PVC edge band.

Drawers have 3/4" veneer plywood removable fronts, 1/2" veneer plywood sides and 1/4" bottom with waterproof vinyl face; dove-tail joinery and open to 3/4 of their depth.



Mirror.

Constructed of hardwood veneer plywood with matching PVC edge band. Rests on top of 3-drawer chest.

Drawers.

Have integral pull and 3/4 extension epoxy coated drawer slides.

Configurations

Available with 3- or 6-drawers.

Wardrobe

Construction

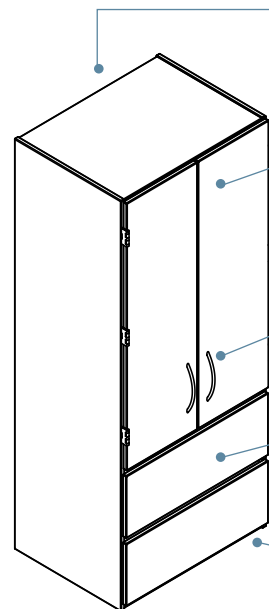
Glue and dowel assembly

3/4" hardwood veneer plywood with matching PVC edge band.

Drawers have 3/4" veneer plywood removable fronts, 1/2" veneer plywood sides and 1/4" bottom with waterproof vinyl face; dove-tail joinery and open to 3/4 of their depth.

Configurations

Available with 2-doors or 2-doors with 2-drawers.



Grommets.

Three located in back for cable management.

Interior.

Coat rod and coat hook. Two door unit has fixed shelf above coat rod.

Doors.

Feature silver contemporary loop pulls.

Drawers.

Have integral pulls and 3/4 extension epoxy coated drawer slides.

Leveler glides.

Four adjustable glides accommodate uneven floors.

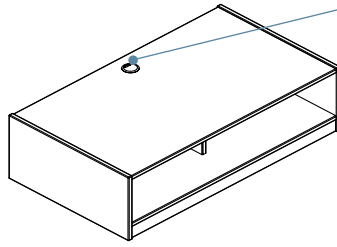
Features

TV Stand

Construction

Glue and dowel assembly

¾" hardwood veneer plywood with matching PVC edge band.



Cable management.

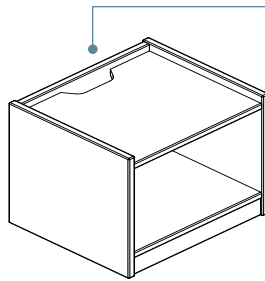
Grommet in top and cutout in back allow cables to be neatly managed.

Nightstand

Construction

Glue and dowel assembly

¾" hardwood veneer plywood with matching PVC edge band.



Grommet.

One located in back for cable management.

Statement of Line



Bed with Wings and Shelves



Desk



Organizer



Wardrobe



Chest and Mirror



Nightstand



Stacking Drawer



TV Stand

Products not shown: Mobile Storage, Under Bed Open Storage

Configurations



How to Specify

Example. 1. Model Number/Size 2. Species and Finish

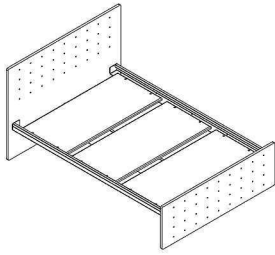
ALHUTB1430 **K02**

Step 1. Identify the Part Number from the succeeding product price pages.

Step 2. Select the Species and the Finish:

K Oak
02 Light
40 Medium

M Maple
01 Natural
42 Cherry
60 Cocoa
76 Mocha

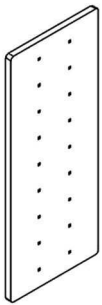


71-204
Tip: mattress sizes- Twin 36x80, Full 54x80

Standard includes:

- Headboard and footboard: veneer plywood
- Decorative side rails: silver metal with wood trim piece
- Species: **K** Oak or **M** Maple
- Deck: 3 piece wood
- Shipped ready to assemble

Part Number	Description	D" x W" x H"	Price
ALBE3E4283-K	ALCOVE, Twin Bed	42 x 83 x 42	\$946
ALBE3E4283-M	ALCOVE, Twin Bed	42 x 83 x 42	\$984
ALBE3R6083-K	ALCOVE, Full Bed	60 x 83 x 42	\$1,428
ALBE3R6083-M	ALCOVE, Full Bed	60 x 83 x 42	\$1,486

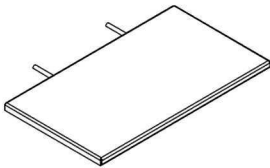


71-204

Standard includes:

- Bed wings: veneer plywood
- Species: **K** Oak or **M** Maple
- Attachment hardware
- Shipped ready to assemble

Part Number	Description	D" x W" x H"	Price
ALSB2X0118-K	ALCOVE, Bed Wing	1 x 18 x 42	\$210
ALSB2X0118-M	ALCOVE, Bed Wing	1 x 18 x 42	\$220

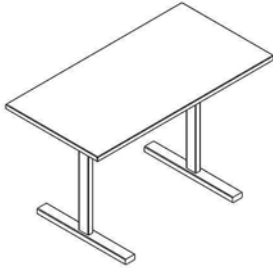


71-204

Standard includes:

- Metal shelf: silver powder coat
- Attachment hardware
- 14" shelf can be used with bed or wings
- 20" shelf can be used with bed, only

Part Number	Description	D" x W" x H"	Price
ALSHTX0814-S	ALCOVE, Shelf	8 x 14 x 1	\$82
ALSHTX0820-S	ALCOVE, Shelf	8 x 20 x 1	\$100



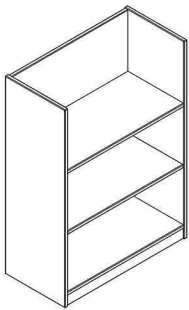
Standard includes:

- Worksurface: laminate with matching PVC edge band
- T-legs: steel, silver powder coat
- Specify **K** for Oak or **M** for Maple laminates
- Shipped ready to assemble

Part Number	Description	D" x W" x H"	Price
ALDKOL2446-K	ALCOVE, Nesting Desk, Silver leg	24 x 46 x 29	\$682
ALDKOL2446-M	ALCOVE, Nesting Desk, Silver leg	24 x 46 x 29	\$682

71-204

Tip: desk height aligns with the fixed shelf of organizer to extend work surface.



Standard includes:

- Veneer plywood with matching PVC edge band
- Species: **K** Oak or **M** Maple
- Shipped assembled

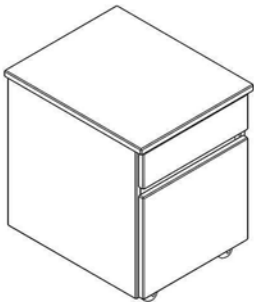
Options available:

- Tack board at fixed shelf

Part Number	Description	D" x W" x H"	Price	Tack
ALHU1X1430-K	ALCOVE, Organizer	14 x 30 x 42	\$488	+\$50
ALHU1X1430-M	ALCOVE, Organizer	14 x 30 x 42	\$510	+\$50
ALHU2X1430-K	ALCOVE, Tall Organizer	14 x 30 x 72	\$648	+\$50
ALHU2X1430-M	ALCOVE, Tall Organizer	14 x 30 x 72	\$674	+\$50

71-204

Tip: fixed shelf aligns with height of nesting desk to extend work surface.

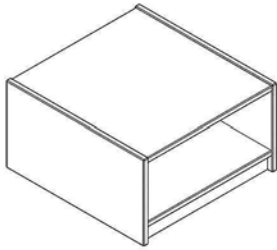


Standard includes:

- Case: veneer plywood with matching PVC edge band
- Top: laminate with matching PVC edge band
- Species: **K** Oak or **M** Maple
- Box/ File
- Casters- 2 locking, 2 non-locking: black plastic
- 3/4 extension epoxy coated drawer slides
- Integral pulls
- Shipped assembled

Part Number	Description	D" x W" x H"	Price
ALPEM32016-K	ALCOVE, Mobile Pedestal, BF	20 x 16 x 23	\$562
ALPEM32016-M	ALCOVE, Mobile Pedestal, BF	20 x 16 x 23	\$580

71-204

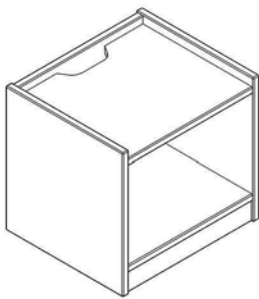


71-204

Standard includes:

- Veneer plywood with matching PVC edge band
- Species: **K** Oak or **M** Maple
- Closed back
- Shipped assembled

Part Number	Description	D" x W" x H"	Price
ALUB1X2221-K	ALCOVE, Under Bed Open Box	22 x 21 x 12	\$262
ALUB1X2221-M	ALCOVE, Under Bed Open Box	22 x 21 x 12	\$278

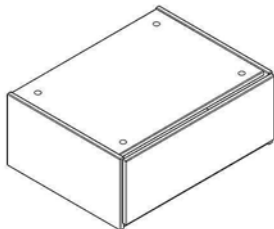


71-204

Standard includes:

- Veneer plywood with matching PVC edge band
- Species: **K** Oak or **M** Maple
- Cable management cutouts
- Fixed open shelf
- Shipped assembled

Part Number	Description	D" x W" x H"	Price
ALNSND1217-K	ALCOVE, Nightstand	12 x 17 x 18	\$274
ALNSND1217-M	ALCOVE, Nightstand	12 x 17 x 18	\$288

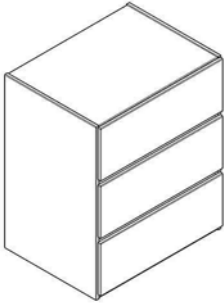


71-204

Standard includes:

- Veneer plywood with matching PVC edge band
- Species: **K** Oak or **M** Maple
- 3/4 extension epoxy coated drawer slides
- Integral pull
- Integrated safety connector clip at rear
- Nest or stack 5-high
- Shipped assembled

Part Number	Description	D" x W" x H"	Price
ALSD1D2230-K	ALCOVE, Single Drawer Stacker	22 x 30 x 12	\$378
ALSD1D2230-M	ALCOVE, Single Drawer Stacker	22 x 30 x 12	\$394

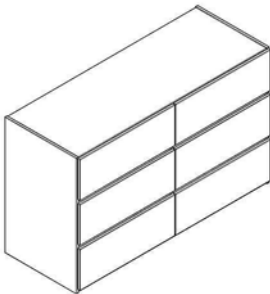


71-204

Standard includes:

- Veneer plywood with matching PVC edge band
- Species: **K** Oak or **M** Maple
- Three equal sized drawers with 3/4 extension epoxy coated drawer slides
- Integral pulls
- Shipped assembled

Part Number	Description	D" x W" x H"	Price
ALDR3X2230-K	ALCOVE, Chest, 3-Drawer	22 x 30 x 36	\$990
ALDR3X2230-M	ALCOVE, Chest, 3-Drawer	22 x 30 x 36	\$1,010



71-204

Standard includes:

- Veneer plywood with matching PVC edge band
- Species: **K** Oak or **M** Maple
- Six equal sized drawers with 3/4 extension epoxy coated drawer slides
- Integral pulls
- Shipped assembled

Part Number	Description	D" x W" x H"	Price
ALDR6X2260-K	ALCOVE, Chest, 6-Drawer	22 x 60 x 36	\$1,782
ALDR6X2260-M	ALCOVE, Chest, 6-Drawer	22 x 60 x 36	\$1,854

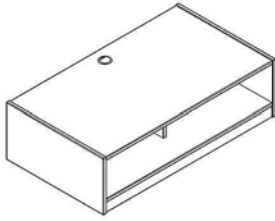


71-204

Standard includes:

- Veneer plywood with matching PVC edge band
- Coat rod: chrome
- Coat hook on inside of door
- Fixed shelf above rod on full door unit, only
- Drawers, if specified: 3/4 extension epoxy coated slides, integral pulls
- Contemporary loop pulls on doors: silver
- Cable management grommet in back panel
- Shipped assembled

Part Number	Description	D" x W" x H"	Price
ALWD222230-K	ALCOVE, Wardrobe, 2 Door, 2-Drawer	22 x 30 x 72	\$1,352
ALWD222230-M	ALCOVE, Wardrobe, 2 Door, 2-Drawer	22 x 30 x 72	\$1,402
ALWD2D2230-K	ALCOVE, Wardrobe, 2 Door	22 x 30 x 72	\$1,194
ALWD2D2230-M	ALCOVE, Wardrobe, 2 Door	22 x 30 x 72	\$1,244

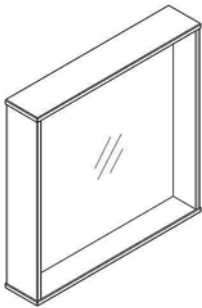


71-204

Standard includes:

- Veneer plywood with matching PVC edge band
- Species: **K** Oak or **M** Maple
- Center support for heavy equipment
- Cable management cutout in top and back
- Shipped assembled

Part Number	Description	D" x W" x H"	Price
ALTV1V2242-K	ALCOVE, TV Stand	22 x 42 x 12	\$526
ALTV1V2242-M	ALCOVE, TV Stand	22 x 42 x 12	\$542



71-204

Standard includes:

- Veneer plywood with matching PVC edge band
- Species: **K** Oak or **M** Maple
- Rests on 3-Drawer chest
- Shipped assembled

Part Number	Description	D" x W" x H"	Price
ALMR1X0630-K	ALCOVE, Mirror	6 x 30 x 30	\$170
ALMR1X0630-M	ALCOVE, Mirror	6 x 30 x 30	\$178