

A new perspective on room solutions with a progressive look. Essix blends form and function to the advantage of the user, offering ample storage options with an aesthetic that will set you apart.



## Features

### Bed

#### Construction

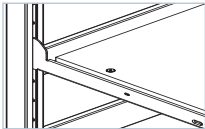
Extruded aluminum posts with 3/4" hardwood veneer rails and matching PVC edge band. Metal-to-metal connections (no glue) for durability and simple field replacement.

#### Bunk and loft.

Integrated stacking coupler at each post provides a secure and safe, patented connection that uses no pins.

#### One-piece metal side rail.

For strength and finished look. No welds, rivets or joints. The gussets are inverted to prevent potential drawer interference, maximize space under the bed and provide a clean aesthetic.



#### Height adjustable.

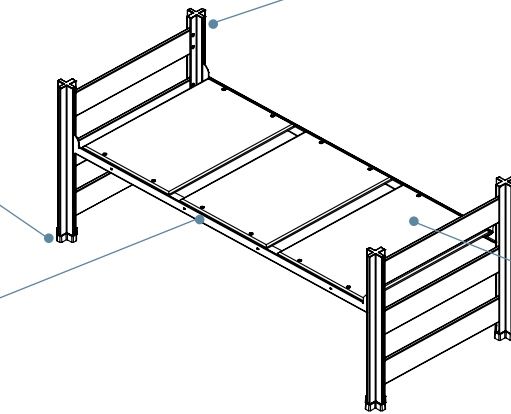
Patented one-piece steel pin channel allows bed deck height to be adjusted in 7 positions without tools on full size bed.

#### Bed deck.

3-piece wood.

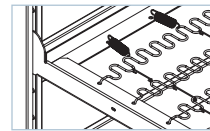
#### Optional decorative side rail.

Can be used with twin or full bed.



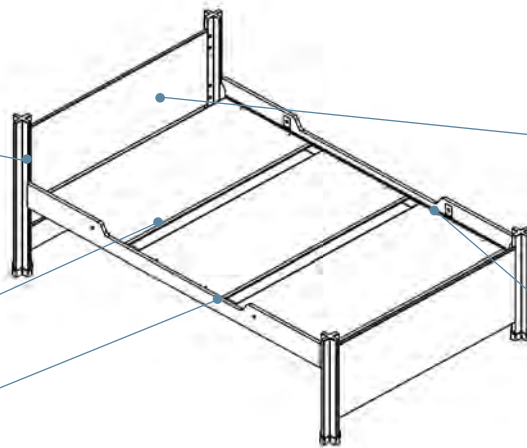
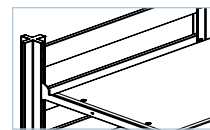
#### Height adjustable.

Patented one-piece steel pin channel allows bed deck height to be adjusted in 11 positions without tools on the twin bed. The pin channel also accommodates hang-on accessories.



#### Interchangeable bed decks.

Wood and spring decks on twin bed are universal and can be used with any of our five bed solutions-providing a long-term sustainable investment. See Bed Story section for additional information.



#### Headboard and footboard.

On the full size bed, both are solid panels. The headboard is taller than the footboard to provide a residential aesthetic.

#### One-piece metal side rail.

## Features

### Desk

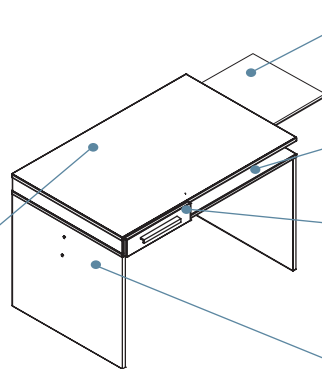
#### Construction

Glue and dowel assembly

¾" laminate worksurface with matching PVC edge band. ¾" hardwood veneer plywood or laminate with engineered wood core for the case and slab legs.

#### Larger work space.

The worksurface is 28" deep to provide more work area to accommodate technology, tools and group collaboration.



#### Pull out reference shelf.

Provides additional space for materials.

#### Accessory ledge.

Keeps small items at hand.

#### Removable drawer.

Can be removed and repositioned on the back to make the desk reversible.

#### Leg support choices.

Full end panel slab legs or 4-steel post legs in silver powder coat are available.

### Organizer

#### Construction

Glue and dowel assembly

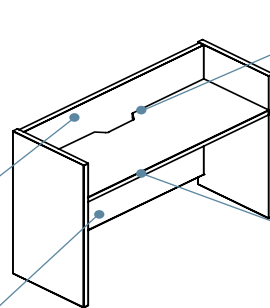
¾" hardwood veneer plywood or laminate with engineered wood core with matching PVC edge band.

#### Extended back and side panels.

Keep items from falling off and damaging walls.

#### Optional tack board.

Provides a place to display personal items.



#### Cable management.

Cable pass-through at bottom of back panel and egress grommet below shelf allow cables to be routed out back. Cutout at shelf allows vertical wire management.

#### Task light option.

Mounts in recessed area beneath shelf. Choice of fluorescent or energy efficient LED.

## Features

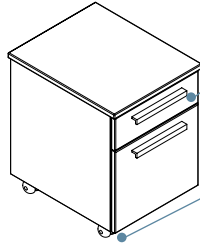
### Mobile Pedestal

#### Construction

Glue and dowel assembly

3/4" hardwood veneer plywood or laminate with engineered wood core with matching PVC edge band.

Drawers have 3/4" veneer plywood or laminate removable front, 1/2" veneer plywood sides and 1/4" bottom with waterproof vinyl face; dove-tail joinery; and open to 3/4 of their depth.



#### Box/ File drawers.

Have aluminum bar pulls and 3/4 extension epoxy coated drawer slides.

#### Casters.

Allow for mobility. Mobile pedestal fits under desk or can be moved wherever storage is needed.

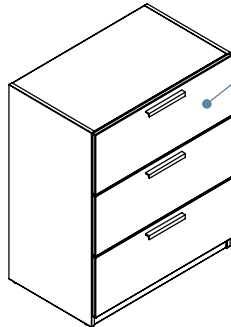
### Chest

#### Construction

Glue and dowel assembly

3/4" hardwood veneer plywood or laminate with engineered wood core with matching PVC edge band.

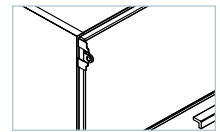
Drawers have 3/4" veneer plywood or laminate removable front, 1/2" veneer plywood sides and 1/4" bottom with waterproof vinyl face; dove-tail joinery; and open to 3/4 of its depth.



#### Drawers.

Large, deep drawers have aluminum bar pulls and 3/4 extension epoxy coated slides.

#### Optional Hasp Lock



Available on top drawer only. Use with own padlock to provide additional security.

## Features

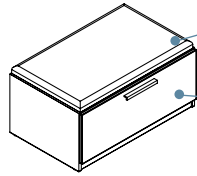
### Single Drawer Storage

#### Construction

Glue and dowel assembly

3/4" hardwood veneer plywood or laminate with engineered wood core with matching PVC edge band.

Drawers have 3/4" veneer plywood or laminate removable front, 1/2" veneer plywood sides and 1/4" bottom with waterproof vinyl face; dove-tail joinery; and open to 3/4 of its depth.

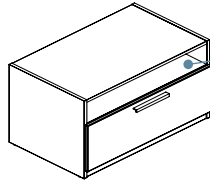


#### Seat cushion.

Upholstered cushion provides additional seating.

#### Drawer.

Large, deep drawer has aluminum bar pull and 3/4 extension epoxy coated slides.



#### Slim shelf.

Full width slim shelf has cable management grommet in back to support gaming and media components.

### Stacking Drawer

#### Construction

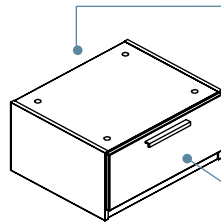
Glue and dowel assembly

3/4" hardwood veneer plywood or laminate with engineered wood core with matching PVC edge band.

Drawers have 3/4" veneer plywood or laminate removable front, 1/2" veneer plywood sides and 1/4" bottom with waterproof vinyl face; dove-tail joinery; and open to 3/4 of its depth.

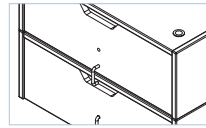
#### Stack or nest

Can be used side-by-side beneath bed or stack 4-high.



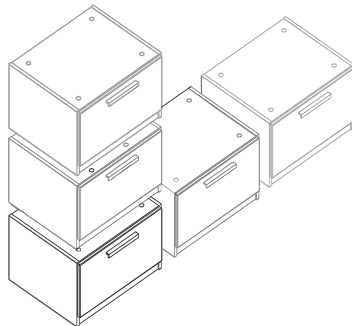
#### Integrated connector clip.

Located on the back side to link units when stacked.



#### Drawer.

Large, deep drawer has aluminum bar pull and 3/4 extension epoxy coated slides.



## Features

### Box Storage Units

#### Construction

Glue and dowel assembly

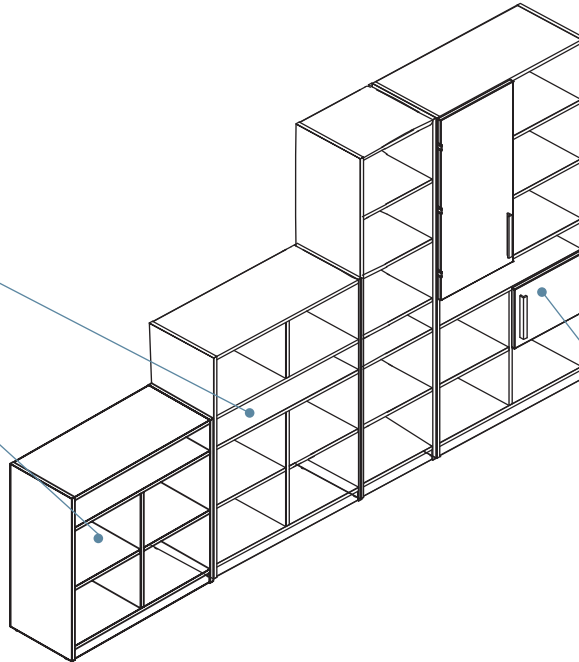
¾" hardwood veneer plywood or laminate with engineered wood core with matching PVC edge band.

#### Slim shelf.

Full width slim shelf has cable management grommet in back.

#### Cubbies.

Choose from 4-.5-.6- or 10-cubbies. Fixed shelves with cutouts at back of all shelves allow cables to be managed vertically and keep things neat.



#### Design

Components align dimensionally across fronts to provide a clean, consistent visual. Pieces are designed to work individually or together to create a custom storage or media wall. When used for in-between spaces, it defines an intimate space for meeting and collaborating.

#### Doors optional.

4- and 10-box storage units have optional doors with aluminum bar pulls.

### Wardrobe

#### Construction

Glue and dowel assembly

¾" hardwood veneer plywood or laminate with engineered wood core with matching PVC edge band.

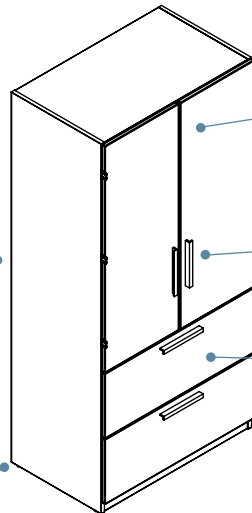
Drawers have ¾" veneer plywood or laminate removable front, ½" veneer plywood sides and ¼" bottom with waterproof vinyl face; dove-tail joinery; and open to ¾ of its depth.

#### Grommets.

Three located in back for cable management.

#### Leveler glides.

Four adjustable glides accommodate uneven floors.



#### Configurations

Available with 2-doors, or 2-doors with 2-drawers.

#### Interior.

Coat rod and coat hook. 2-door unit has fixed shelf above coat rod.

#### Pulls.

Doors and drawers have aluminum bar pulls.

#### Drawers.

Large, deep drawers have ¾ extension epoxy coated slides.

#### Optional Hasp Lock

Available on 2-drawer unit. See Chest feature section for additional details.

Statement of Line



Adjustable Height Bed\*



Full Bed



Bed with Loft Kit\* and Guard Rail



Desk



Desk with Organizer



Single Drawer with Cushion



Single Drawer Stacker, stack or side-by-side



Chest



4-, 6-, or 10-Box Storage units with wire management



Tower Storage Unit



Wardrobes, several styles available



Accessory-\* Box Shelf



Accessory-\* Hook



Accessory-\* Clip-on Shelf

Product not shown: Mobile Pedestal

\*Note: for pricing and information on our bed solutions, please refer to the Bed Story section of the Price Book.

Configurations



## How to Specify

---

Example.    1. Model Number/Size    2. Species and Finish

**EXOR1A1242**                    **K02**

Step 1.        Identify the Part Number from the succeeding product price pages.

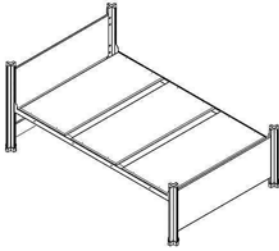
Step 2.        For wood casegoods, select the species and finish:

**K**    Oak  
02    Light  
40    Medium

**M**    Maple  
01    Natural  
42    Cherry  
60    Cocoa  
76    Mocha

For laminate casegoods, select laminate and the finish:

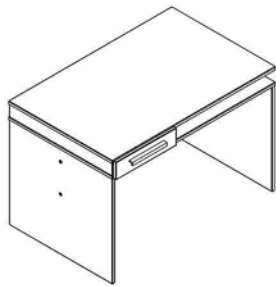
**L**    Laminate  
A4    Natural Maple  
A7    Medium Oak  
A8    Cocoa Maple  
B2    Cherry Maple



71-204  
 Tip: see Bed Story Section for additional bed solutions and accessories.

- Standard includes:**
- Extruded aluminum posts
  - Veneer plywood headboard/footboard with matching PVC edge band
  - Species: **K** Oak or **M** Maple
  - One-piece steel side rails: black
  - 7 deck heights with steel pin channel
  - Deck: 3-piece wood
  - Fits mattress size: 54x80
  - Shipped ready to assemble

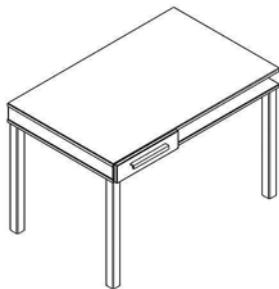
Part Number	Description	D" x W" x H"	Price
EXBE3W5485-K	ESSIX, Bed, Full, 3-Piece Wood Deck, Sized For 54 X 80 Mattress	56 x 89 x 38	\$1,284
EXBE3W5485-M	ESSIX, Bed, Full, 3-Piece Wood Deck, Sized For 54 X 80 Mattress	56 x 89 x 38	\$1,310



71-204

- Standard includes:**
- Case: veneer plywood or laminate with matching PVC edge band
  - Worksurface: laminate with matching PVC edge band
  - Species: **K** Oak or **M** Maple; **L** Laminate
  - Field reversible unit with removable drawer
  - Slide out reference shelf
  - Pencil ledge
  - 3/4 height back panel
  - Aluminum bar pull
  - Shipped ready to assemble

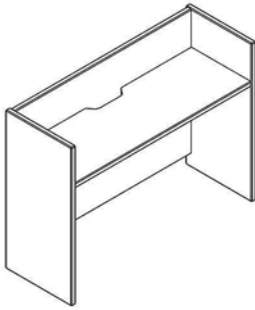
Part Number	Description	D" x W" x H"	Price
EXDEAZ2844-K	ESSIX, Desk, Slab Leg, Reversible Side Drawer	28 x 44 x 29	\$763
EXDEAZ2844-L	ESSIX, Desk, Slab Leg, Reversible Side Drawer	28 x 44 x 29	\$610
EXDEAZ2844-M	ESSIX, Desk, Slab Leg, Reversible Side Drawer	28 x 44 x 29	\$778



71-204

- Standard includes:**
- Case: veneer plywood or laminate with matching edge band
  - Worksurface: laminate with matching PVC edge band
  - Four steel post legs: silver powder coat
  - Species: **K** Oak or **M** Maple; **L** Laminate
  - Field reversible unit with removable drawer
  - Slide out reference shelf
  - Pencil ledge
  - Aluminum bar pull
  - Shipped ready to assemble

Part Number	Description	D" x W" x H"	Price
EXDEDH2844-K	ESSIX, Desk, Metal Leg, Reversible Side Drawer	28 x 44 x 29	\$827
EXDEDH2844-L	ESSIX, Desk, Metal Leg, Reversible Side Drawer	28 x 44 x 29	\$703
EXDEDH2844-M	ESSIX, Desk, Metal Leg, Reversible Side Drawer	28 x 44 x 29	\$844



71-204

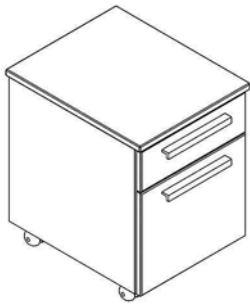
**Standard includes:**

- Veneer plywood or laminate with matching edge band
- Species: **K** Oak or **M** Maple; **L** Laminate
- Cable management cutouts
- Fixed shelf
- Shipped assembled

**Options available:**

- Tack board
- Task light: Florescent or LED

Part Number	Description	D" x W" x H"	Price	Tack	Light	LED
EXOR1X1242-K	ESSIX, Organizer	12 x 42 x 25	\$220	+\$50	+\$100	+\$187
EXOR1X1242-L	ESSIX, Organizer	12 x 42 x 25	\$195	+\$50	+\$100	+\$187
EXOR1X1242-M	ESSIX, Organizer	12 x 42 x 25	\$242	+\$50	+\$100	+\$187

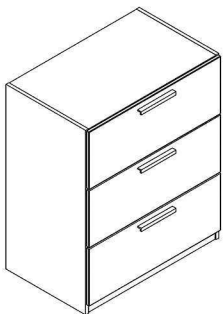


71-204

**Standard includes:**

- Veneer plywood or laminate with matching PVC edge band
- Species: **K** Oak or **M** Maple; **L** Laminate
- Box/ File
- 3/4 extension epoxy coated drawer slides
- Aluminum bar pulls
- Casters- 2 locking, 2 non-locking: black plastic
- Shipped assembled

Part Number	Description	D" x W" x H"	Price
EXPE1X1619-K	ESSIX, Mobile Pedestal, BF, Casters	16 x 19 x 22	\$508
EXPE1X1619-L	ESSIX, Mobile Pedestal, BF, Casters	16 x 19 x 22	\$432
EXPE1X1619-M	ESSIX, Mobile Pedestal, BF, Casters	16 x 19 x 22	\$518



71-204

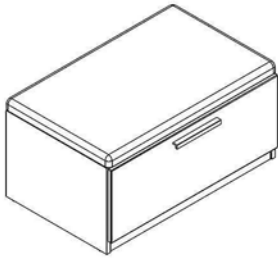
**Standard includes:**

- Veneer plywood or laminate with matching PVC edge band
- Species: **K** Oak or **M** Maple; **L** Laminate
- Three deep drawers with 3/4 extension epoxy coated slides
- Aluminum bar pulls
- Shipped assembled

**Option available:**

- Hasp lock on top drawer, only

Part Number	Description	D" x W" x H"	Price	Drawer Hasp
EXDR3X2236-K	ESSIX, Chest, 3-Drawer	22 x 36 x 42	\$1,076	+\$35
EXDR3X2236-L	ESSIX, Chest, 3-Drawer	22 x 36 x 42	\$861	+\$35
EXDR3X2236-M	ESSIX, Chest, 3-Drawer	22 x 36 x 42	\$1,098	+\$35



71-204  
COM yardage: 1.25

**Standard includes:**

- Veneer plywood or laminate with matching PVC edge band
- Species: **K** Oak or **M** Maple; **L** Laminate
- Seat cushion: base grade fabric
- One deep drawer with 3/4 extension epoxy coated slides
- Aluminum bar pull
- Shipped assembled

**Options available:**

- Please call for pricing on Price Grade 4 fabric and above

Part Number	Description	D" x W" x H"	Price	Grade1	Grade2	Grade3
EXDS1B2236+K	ESSIX, Single Drawer Storage W/Cushion	22 x 36 x 18	\$779	+\$23	+\$45	+\$67
EXDS1B2236+L	ESSIX, Single Drawer Storage W/Cushion	22 x 36 x 18	\$662	+\$23	+\$45	+\$67
EXDS1B2236+M	ESSIX, Single Drawer Storage W/Cushion	22 x 36 x 18	\$795	+\$23	+\$45	+\$67

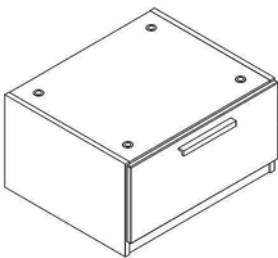


71-204

**Standard includes:**

- Veneer plywood or laminate with matching PVC edge band
- Species: **K** Oak or **M** Maple; **L** Laminate
- Slim open shelf with cable management grommet in back
- One deep drawer with 3/4 extension epoxy coated slides
- Aluminum bar pull
- Shipped assembled

Part Number	Description	D" x W" x H"	Price
EXDS1A2236-K	ESSIX, Single Drawer Storage With Slim	22 x 36 x 25	\$588
EXDS1A2236-L	ESSIX, Single Drawer Storage With Slim	22 x 36 x 25	\$470
EXDS1A2236-M	ESSIX, Single Drawer Storage With Slim	22 x 36 x 25	\$600

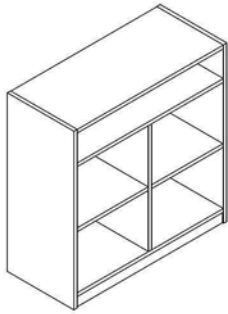


71-204

**Standard includes:**

- Veneer plywood with matching PVC edge band
- Species: **K** Oak or **M** Maple
- Nest or stack 4-high
- Integrated safety connector clip at rear
- One deep drawer with 3/4 extension epoxy coated slides
- Aluminum bar pull
- Shipped assembled

Part Number	Description	D" x W" x H"	Price
EXSD1C2226-K	ESSIX, Single Drawer Stacker	22 x 26 x 14	\$399
EXSD1C2226-L	ESSIX, Single Drawer Stacker	22 x 26 x 14	\$339
EXSD1C2226-M	ESSIX, Single Drawer Stacker	22 x 26 x 14	\$407

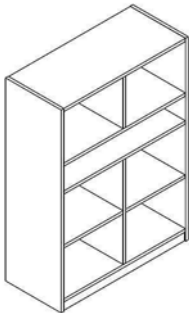


71-204

**Standard includes:**

- Veneer plywood or laminate with matching PVC edge band
- Species: **K** Oak or **M** Maple; **L** Laminate
- Four cubbies with fixed shelves
- Slim storage shelf with cable management grommet in back
- Cutout at back of shelves for vertical cable management
- Aluminum bar pull on doors, if specified
- Shipped assembled

Part Number	Description	D" x W" x H"	Price
EXSU4D1636-K	ESSIX, 4-Box Storage Unit with Doors W/ Slim	16 x 36 x 36	\$634
EXSU4D1636-L	ESSIX, 4-Box Storage Unit with Doors W/ Slim	16 x 36 x 36	\$507
EXSU4D1636-M	ESSIX, 4-Box Storage Unit With Doors W/ Slim	16 x 36 x 36	\$647
EXSU4S1636-K	ESSIX, 4-Box Storage Unit W/ Slim	16 x 36 x 36	\$534
EXSU4S1636-L	ESSIX, 4-Box Storage Unit W/ Slim	16 x 36 x 36	\$427
EXSU4S1636-M	ESSIX, 4-Box Storage Unit W/ Slim	16 x 36 x 36	\$545

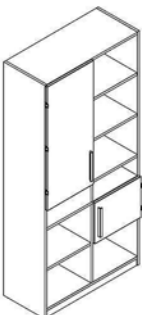


71-204

**Standard includes:**

- Veneer plywood or laminate with matching PVC edge band
- Species: **K** Oak or **M** Maple; **L** Laminate
- Six open cubbies with fixed shelves
- Slim storage shelf with cable management grommet in back
- Cutout at back of shelves for vertical cable management
- Shipped assembled

Part Number	Description	D" x W" x H"	Price
EXSU6S1636-K	ESSIX, Storage Unit, 6-Box, W/ Slim	16 x 36 x 48	\$701
EXSU6S1636-L	ESSIX, Storage Unit, 6-Box, W/ Slim	16 x 36 x 48	\$561
EXSU6S1636-M	ESSIX, Storage Unit, 6-Box, W/ Slim	16 x 36 x 48	\$715

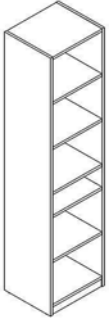


71-204

**Standard includes:**

- Veneer plywood or laminate with matching PVC edge band
- Species: **K** Oak or **M** Maple; **L** Laminate
- Ten cubbies with fixed shelves
- Slim storage shelf with cable management grommet in back
- Cutout at back of shelves for vertical cable management
- Aluminum bar pulls on doors, if specified
- Shipped assembled

Part Number	Description	D" x W" x H"	Price
EXSU1S1636-K	ESSIX, Storage Unit, 10-Box, W/ Slim	16 x 36 x 76	\$943
EXSU1S1636-L	ESSIX, Storage Unit, 10-Box, W/ Slim	16 x 36 x 76	\$754
EXSU1S1636-M	ESSIX, Storage Unit, 10-Box, W/ Slim	16 x 36 x 76	\$962
EXSU2S1636-K	ESSIX, Storage Unit, 10-Box, 2 Doors, W/ Slim	16 x 36 x 76	\$1,143
EXSU2S1636-L	ESSIX, Storage Unit, 10-Box, 2 Doors, W/ Slim	16 x 36 x 76	\$914
EXSU2S1636-M	ESSIX, Storage Unit, 10-Box, 2 Doors, W/ Slim	16 x 36 x 76	\$1,166



71-204

**Standard includes:**

- Veneer plywood or laminate with matching PVC edge band
- Species: **K** Oak or **M** Maple; **L** Laminate
- Five open cubbies with fixed shelves
- Slim storage shelf with cable management grommet in rear
- Cutout at back of shelves for vertical cable management
- Shipped assembled

Part Number	Description	D" x W" x H"	Price
EXSU5S1618-K	ESSIX, Storage Tower, 5-Box, W/ Slim	16 x 18 x 76	\$521
EXSU5S1618-L	ESSIX, Storage Tower, 5-Box, W/ Slim	16 x 18 x 76	\$417
EXSU5S1618-M	ESSIX, Storage Tower, 5-Box, W/ Slim	16 x 18 x 76	\$531



71-204

**Standard includes:**

- Veneer plywood or laminate with matching PVC edge band
- Species: **K** Oak or **M** Maple; **L** Laminate
- Coat rod: chrome
- Coat hook on inside of door
- Fixed shelf above coat rod on full door unit, only
- Drawers, if specified: 3/4 extension epoxy coated slides
- Aluminum bar pulls
- Cable management grommet in back panel
- Shipped assembled

**Options available:**

- Hasp lock on top drawer, only

Part Number	Description	D" x W" x H"	Price	Drawer Hasp
EXWABP2236-K	ESSIX, Wardrobe, 2 Door	22 x 36 x 76	\$1,338	
EXWABP2236-L	ESSIX, 76 Wardrobe, 2-Door	22 x 36 x 76	\$1,070	
EXWABP2236-M	ESSIX, Wardrobe, 2 Door	22 x 36 x 76	\$1,365	
EXWACG2236-K	ESSIX, 76 Wardrobe, 2-Door, 2-Drawer	22 x 36 x 76	\$1,488	+\$35
EXWACG2236-L	ESSIX, 76 Wardrobe, 2-Door, 2-Drawer	22 x 36 x 76	\$1,220	+\$35
EXWACG2236-M	ESSIX, 76 Wardrobe, 2-Door, 2-Drawer	22 x 36 x 76	\$1,515	+\$35