

Contemporary design created for good looks and great technology accommodation.



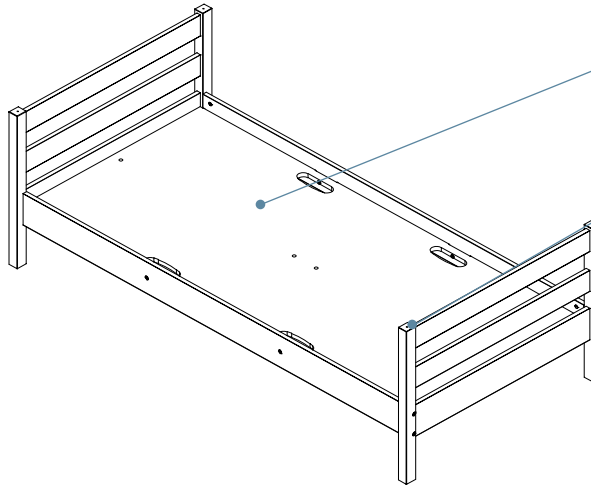
Features

Simple Bed

Construction

Glue and dowel assembly

Solid wood posts and 3/4" hardwood veneer plywood rails with matching PVC edge band.



Bed deck

One-piece wood deck is at fixed height. Bed deck ships assembled to side rails.

Bunk

Steel pins at each post allow for bunking without tools. Bed can be flipped for two different heights.

Captains Bed

Construction

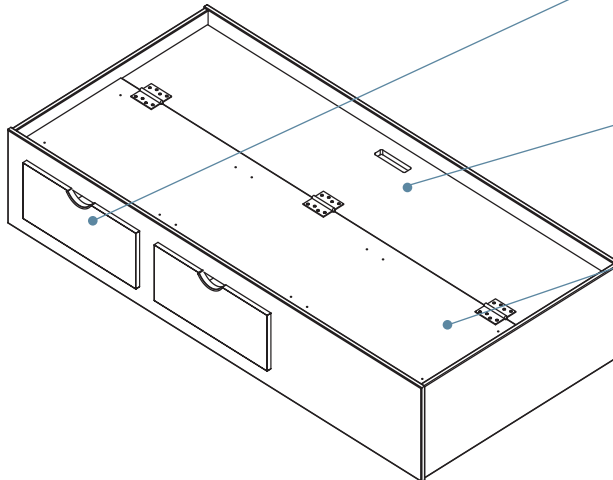
Glue and dowel assembly

3/4" hardwood veneer plywood with matching PVC edge band.

Drawers have removable, 3/4" veneer plywood fronts; 1/2" veneer plywood sides; 1/4" bottom with waterproof vinyl face; glue and dowel joinery; and open to 3/4 of their depth.

Configurations

Available with 2-, 3- or 4-drawers and 4-drawers with 2-doors.



Drawers.

Have half-moon black plastic pulls and 3/4 extension epoxy coated slides.

Storage.

Hinged door opens to provide additional storage underneath deck.

Platform style bed.

Designed to be used with mattress and no box spring.

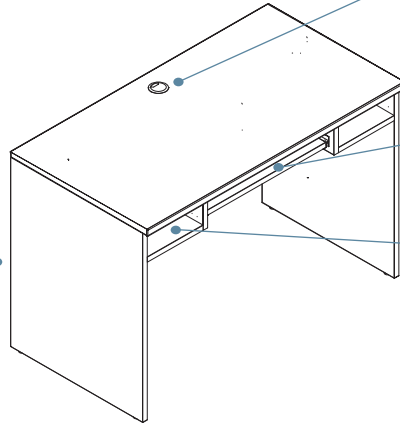
Features

Desk Shell

Construction

Combination of glue and dowel assembly on the case and dry-fit connection between case and work surface. Dry-fit construction uses metal-to-metal fasteners allowing simple replacement in the field.

3/4" hardwood veneer plywood or laminate with engineered wood core with matching PVC edge band. Laminate worksurface with matching PVC edge band.



Grommet.

Provides a way for cords and cables to pass through the work surface. Located in back center of work surface.

Keyboard tray.

Is standard and pulls out for access.

Options.

Double cubby, mouse tray, and pencil drawer.

Back panel.

3/4 height for access to wall outlets and easy cable routing.

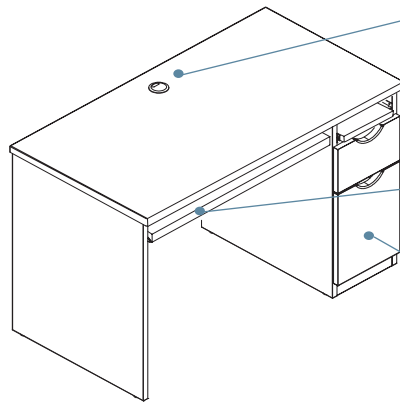
Desk Storage

Construction

Combination of glue and dowel assembly on the case and dry-fit connection between case and work surface. Dry-fit construction uses metal-to-metal fasteners allowing simple replacement in the field.

3/4" hardwood veneer plywood or laminate with engineered wood core with matching PVC edge band. Laminate worksurface with matching PVC edge band.

Drawers have removable, 3/4" veneer plywood or laminate fronts; 1/2" veneer plywood sides; 1/4" bottom with waterproof vinyl face; glue and dowel joinery; and open to 3/4 of their depth.



Grommet.

Provides a way for cords and cables to pass through the work surface. Located in back center of work surface.

Keyboard tray.

Is standard and pulls out for access.

Drawers.

Have half-moon black plastic pulls and 3/4 extension epoxy coated slides.

Configurations

Available with Box/ Box/ File, Phat Leg C (shown) or Phat Leg D configuration. Phat Leg C includes mouse tray, CD storage drawer, deep drawer. Phat Leg D includes pencil drawer, CD storage drawer, deep drawer.

Features

Organizer

Construction

Glue and dowel assembly

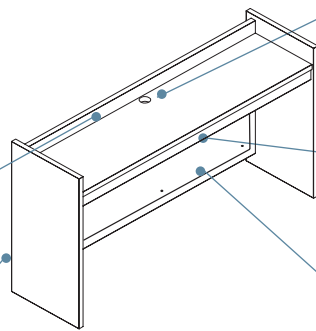
3/4" hardwood veneer plywood or laminate with engineered wood core with matching PVC edge band.

Extended side and back panels.

Keeps items from falling off and damaging walls.

Back panel.

Full height back panel.



Cable management cutouts.

Cord management cutouts in shelf and back to allow for cable routing.

Optional task light.

Mounts in the recessed area beneath shelf. Choice of fluorescent or energy efficient LED.

Optional tack board.

Provides a place to display personal items.

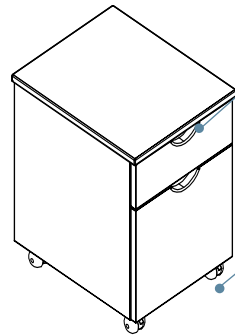
Box/ File Mobile Pedestal

Construction

Combination of glue and dowel assembly on the case and dry-fit connection between case and work surface. Dry-fit construction uses metal-to-metal fasteners allowing simple replacement in the field.

3/4" hardwood veneer plywood or laminate with engineered wood core with matching PVC edge band. Laminate top with matching PVC edge band.

Drawers have removable, 3/4" veneer plywood or laminate fronts; 1/2" veneer plywood sides; 1/4" bottom with waterproof vinyl face; glue and dowel joinery; and open to 3/4 of their depth.



Box/ File drawers.

Have half-moon black plastic pulls and 3/4 extension epoxy coated slides.

Castors.

Allow for mobility. Mobile pedestal fits under desk or can be moved wherever storage is needed.

Features

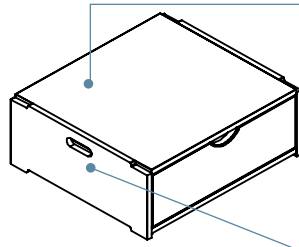
Stacking Drawer

Construction

Glue and dowel assembly

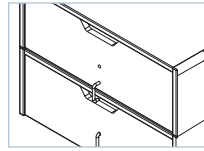
3/4" hardwood veneer plywood or laminate with engineered wood core with matching PVC edge band.

Drawers have removable, 3/4" veneer plywood or laminate fronts; 1/2" veneer plywood sides; 1/4" bottom with waterproof vinyl face; glue and dowel joinery; and open to 3/4 of their depth.



Integrated connector clip.

Located on the back side to link units when stacked.



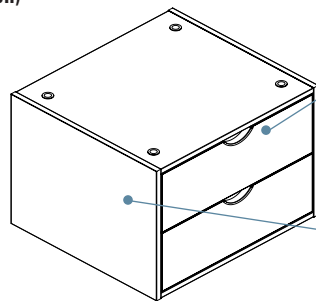
Handhold.

Integrated handhold on sides make it easy to move.

Single stacker.

Can be used side-by-side beneath bed or stack 5-high.

Stacking Drawer (Laminate Version)

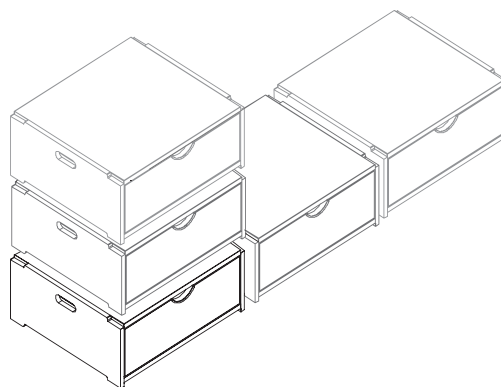


Drawers

Have half-moon black plastic pulls and 3/4 extension epoxy coated slides.

Double stacker.

Can be used side-by-side beneath bed or stack 2-high.



Features

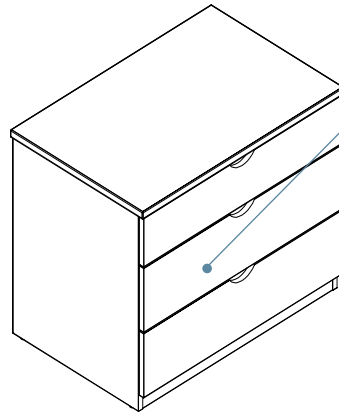
Chest

Construction

Combination of glue and dowel assembly on the case and dry-fit connection between case and work surface. Dry-fit construction uses metal-to-metal fasteners allowing simple replacement in the field.

$\frac{3}{4}$ " hardwood veneer plywood or laminate with engineered wood core with matching PVC edge band. Laminate top with matching PVC edge band, on 3-high configuration, only. $\frac{3}{4}$ " hardwood veneer plywood top with matching PVC edge band, on 4- and 5-high units, only.

Drawers have removable, $\frac{3}{4}$ " veneer plywood or laminate fronts; $\frac{1}{2}$ " veneer plywood sides; $\frac{3}{4}$ " bottom with waterproof vinyl face; glue and dowel joinery; and open to $\frac{3}{4}$ of their depth.



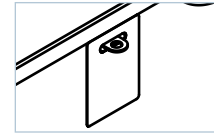
Configurations

Available in 3-, 4- and 5-high units. Also 30" and 36" wide units.

Drawers.

Have half-moon black plastic pulls and $\frac{3}{4}$ " extension epoxy coated slides.

Optional Hasp Lock



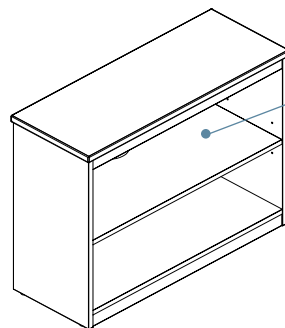
Available on top drawer only. Use with own padlock to provide additional security.

Bookcase

Construction

Combination of glue and dowel assembly on the case and dry-fit connection between case and work surface. Dry-fit construction uses metal-to-metal fasteners allowing simple replacement in the field.

$\frac{3}{4}$ " hardwood veneer plywood or laminate with engineered wood core with matching PVC edge band. Laminate top with matching PVC edge band.



Configurations

Available in 3-, 4-, 5- and 6-high units.

Shelves.

Top and bottom shelves are fixed. Middle shelves are adjustable and contain a cutout at back for cable management.

Features

Nightstand

Construction

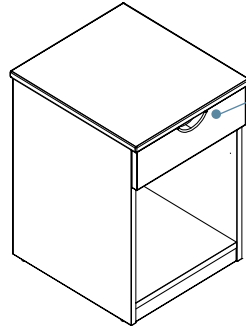
Combination of glue and dowel assembly on the case and dry-fit connection between case and work surface. Dry-fit construction uses metal-to-metal fasteners allowing simple replacement in the field.

$\frac{3}{4}$ " hardwood veneer plywood or laminate with engineered wood core with matching PVC edge band. Laminate top with matching PVC edge band.

Drawers have removable, $\frac{3}{4}$ " veneer plywood or laminate fronts; $\frac{1}{2}$ " veneer plywood sides; $\frac{1}{4}$ " bottom with waterproof vinyl face; glue and dowel joinery; and open to $\frac{3}{4}$ of their depth.

Configurations

Available with 1- or 2-drawers.



Drawers.

Have half-moon black plastic pulls and $\frac{3}{4}$ " extension epoxy coated slides.

Wardrobe (with closet rod and coat hook)

Construction

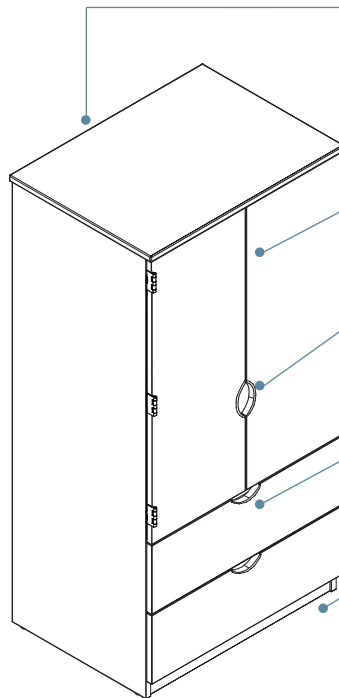
Combination of glue and dowel assembly on the case and dry-fit connection between case and work surface. Dry-fit construction uses metal-to-metal fasteners allowing simple replacement in the field.

$\frac{3}{4}$ " hardwood veneer plywood or laminate with engineered wood core with matching PVC edge band.

Drawers have removable, $\frac{3}{4}$ " veneer plywood or laminate fronts; $\frac{1}{2}$ " veneer plywood sides; $\frac{1}{4}$ " bottom with waterproof vinyl face; glue and dowel joinery; and open to $\frac{3}{4}$ of their depth.

Configurations

Available with 2-doors or 2-doors and 2-drawers.



Grommets.

Three in back for cable management.

Interior.

Coat rod and coat hook.

Pulls.

Doors and drawers have half-moon black plastic pulls.

Drawers.

Have $\frac{3}{4}$ " extension epoxy coated slides.

Leveler glides.

Four adjustable glides accommodate uneven floors.

Features

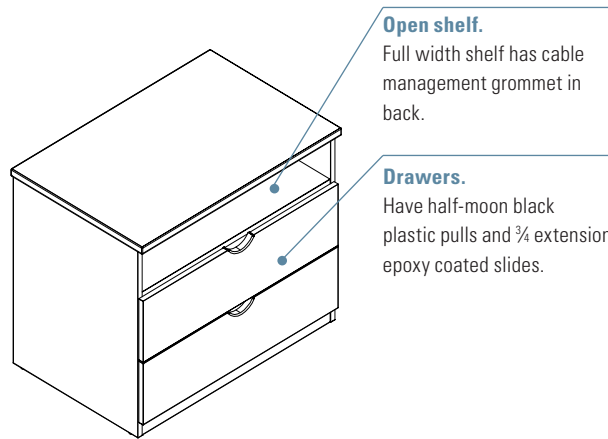
TV Stand

Construction

Combination of glue and dowel assembly on the case and dry-fit connection between case and work surface. Dry-fit construction uses metal-to-metal fasteners allowing simple replacement in the field.

$\frac{3}{4}$ " hardwood veneer plywood with matching PVC edge band. Laminate top with matching PVC edge band.

Drawers have removable, $\frac{3}{4}$ " veneer plywood fronts; $\frac{1}{2}$ " veneer plywood sides; $\frac{1}{4}$ " bottom with waterproof vinyl face; glue and dowel joinery; and open to $\frac{3}{4}$ of their depth.



Open shelf.

Full width shelf has cable management grommet in back.

Drawers.

Have half-moon black plastic pulls and $\frac{3}{4}$ extension epoxy coated slides.

Statement of Line



Simple Bed



Captain's Bed



Desk



Chest



Wardrobe



Bookcase



Nightstand



Organizer

Product not shown: Mobile Pedestal, Stacking Drawer, TV Stand

Configurations



How to Specify

Example. 1. Model Number/Size 2. Species and Finish
 SOBK4V1430 **K02**

Step 1. Identify the Part Number from the succeeding product price pages.

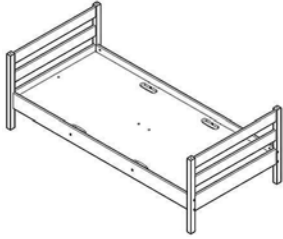
Step 2. For wood casegoods, select the species and finish:

K Oak
02 Light
40 Medium

M Maple
01 Natural
42 Cherry
60 Cocoa
76 Mocha

For laminate casegoods, select laminate and the finish:

L Laminate
A4 Natural Maple
A7 Medium Oak
A8 Cocoa Maple
B2 Cherry Maple

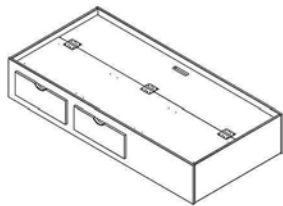


71-204

Standard includes:

- Solid hardwood posts and plywood rails
- Species: **K** Oak or **M** Maple
- Fits mattress size: 36x80
- Shipped ready to assemble

Part Number	Description	D" x W" x H"	Price
SOBE3D4184-K	SOLO, Bed, 1-Piece Deck, 3 Rail, Sized for 36 X 80 Mattress	41 x 84 x 29	\$650
SOBE3D4184-M	SOLO, Bed, 1-Piece Deck, 3 Rail, Sized for 36 X 80 Mattress	41 x 84 x 29	\$663

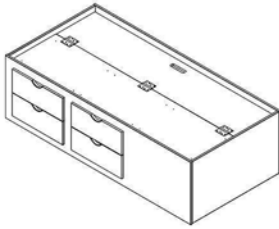


71-204

Standard includes:

- Veneer plywood with matching PVC edge band
- Species: **K** Oak or **M** Maple
- 3/4 extension epoxy coated drawer slides
- Half-moon pull: black plastic
- Storage compartment under bed deck
- Shipped assembled

Part Number	Description	D" x W" x H"	Price
SOBEC23882-K	SOLO, Captain Bed, 2-Drawers, Sized for 36 X 80 Mattress	38 x 82 x 15	\$1,152
SOBEC23882-M	SOLO, Captain Bed, 2-Drawers, Sized for 36 X 80 Mattress	38 x 82 x 15	\$1,175
SOBEC24082-K	SOLO, Captain Bed, 2-Drawers, Sized for 38 X 80 Mattress	40 x 82 x 15	\$1,152
SOBEC24082-M	SOLO, Captain Bed, 2-Drawers, Sized for 38 X 80 Mattress	40 x 82 x 15	\$1,175
SOBEC63882-K	SOLO, Captain Bed, 3-Drawer, Sized for 36 X 80 Mattress	38 x 82 x 15	\$1,350
SOBEC63882-M	SOLO, Captain Bed, 3-Drawers, Sized for 36 X 80 Mattress	38 x 82 x 15	\$1,377
SOBEC64082-K	SOLO, Captain Bed, 3-Drawer, Sized for 38 X 80 Mattress	40 x 82 x 15	\$1,350
SOBEC64082-M	SOLO, Captain Bed, 3-Drawer, Sized for 38 X 80 Mattress	40 x 82 x 15	\$1,377

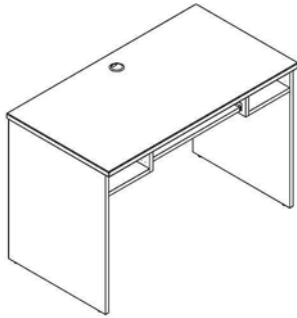


71-204

Standard includes:

- Veneer plywood with matching PVC edge band
- Species: **K** Oak or **M** Maple
- 3/4 extension epoxy coated drawer slides
- Half-moon pull: black plastic
- Four drawers
- Storage compartment under bed deck
- Shipped assembled

Part Number	Description	D" x W" x H"	Price
SOBEC43882-K	SOLO, Captain Bed, 4-Drawers, Sized for 36 X 80 Mattress	38 x 82 x 24	\$1,670
SOBEC43882-M	SOLO, Captain Bed, 4-Drawers, Sized for 36 X 80 Mattress	38 x 82 x 24	\$1,703
SOBEC44082-K	SOLO, Captain Bed, 4-Drawers, Sized for 38 X 80 Mattress	40 x 82 x 24	\$1,672
SOBEC44082-M	SOLO, Captain Bed, 4-Drawers, Sized for 38 X 80 Mattress	40 x 82 x 24	\$1,705
SOBEC53882-K	SOLO, Captain Bed, 4-Drawer/2 Door, Sized for 36 X 80 Mattress	38 x 82 x 24	\$1,770
SOBEC53882-M	SOLO, Captain Bed, 4-Drawer/2 Door, Sized for 36 X 80 Mattress	38 x 82 x 24	\$1,805
SOBEC54082-K	SOLO, Captain Bed, 4-Drawer/2 Door, Sized for 38 X 80 Mattress	40 x 82 x 24	\$1,770
SOBEC54082-M	SOLO, Captain Bed, 4-Drawer/2 Door, Sized for 38 X 80 Mattress	40 x 82 x 24	\$1,805

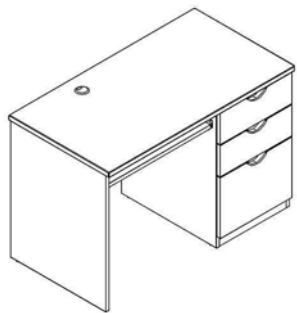


71-204

Standard includes:

- Case: veneer plywood or laminate with matching PVC edge band
- Worksurface: laminate with matching PVC edge band
- Species: **K** Oak or **M** Maple; **L** Laminate
- Grommet in worksurface for cable management
- 3/4 height back panel
- Keyboard tray
- Double cubby, pencil drawer, and mouse tray configurations available
- Dry-fit connection between case and worksurface
- Shipped assembled

Part Number	Description	D" x W" x H"	Price
SODEBA2436-K	SOLO, Desk, Slab Leg, Keyboard Tray	24 x 36 x 29	\$384
SODEBA2436-L	SOLO, Desk, Slab Leg, Keyboard Tray	24 x 36 x 29	\$334
SODEBA2436-M	SOLO, Desk, Slab Leg, Keyboard Tray	24 x 36 x 29	\$392
SODEBE2444-K	SOLO, Desk, Slab Leg, Dbl Cubbie, Keyboard Tray	24 x 44 x 29	\$484
SODEBE2444-L	SOLO, Desk, Slab Leg, Dbl Cubbie, Keyboard Tray	24 x 44 x 29	\$434
SODEBE2444-M	SOLO, Desk, Slab Leg, Dbl Cubbie, Keyboard Tray	24 x 44 x 29	\$492
SODEBE2448-K	SOLO, Desk, Slab Leg, Dbl Cubbie, Keyboard Tray	24 x 48 x 29	\$586
SODEBE2448-M	SOLO, Desk, Slab Leg, Dbl Cubbie, Keyboard Tray	24 x 48 x 29	\$598
SODEBF2444-K	SOLO, Desk, Slab Leg, Dbl Cubbie, Keyboard Tray, Pencil Drawer, Mouse Tray	24 x 44 x 29	\$566
SODEBF2444-L	SOLO, Desk, Slab Leg, Dbl Cubbie, Keyboard Tray, Pencil Drawer, Mouse Tray	24 x 44 x 29	\$492
SODEBF2444-M	SOLO, Desk, Slab Leg, Dbl Cubbie, Keyboard Tray, Pencil Drawer, Mouse Tray	24 x 44 x 29	\$577
SODEBF2448-K	SOLO, Desk, Slab Leg, Dbl Cubbie, Keyboard Tray, Pencil Drawer, Mouse Tray	24 x 48 x 29	\$678
SODEBF2448-M	SOLO, Desk, Slab Leg, Dbl Cubbie, Keyboard Tray, Pencil Drawer, Mouse Tray	24 x 48 x 29	\$690

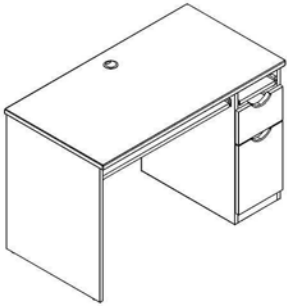


71-204

Standard includes:

- Case: veneer plywood or laminate with matching PVC edge band
- Worksurface: laminate with matching PVC edge band
- Species: **K** Oak or **M** Maple; **L** Laminate
- Grommet in worksurface for cable management
- 3/4 height back panel
- Keyboard tray
- Box/ Box/ File
- 3/4 extension epoxy coated drawer slides
- Half-moon pull: black plastic
- Dry-fit connection between case and worksurface
- Shipped assembled

Part Number	Description	D" x W" x H"	Price
SODEBH2444-K	SOLO, Desk, Slab Leg, BBF, Keyboard Tray	24 x 44 x 29	\$781
SODEBH2444-L	SOLO, Desk, Slab Leg, BBF, Keyboard Tray	24 x 44 x 29	\$679
SODEBH2444-M	SOLO, Desk, Slab Leg, BBF, Keyboard Tray	24 x 44 x 29	\$797



71-204

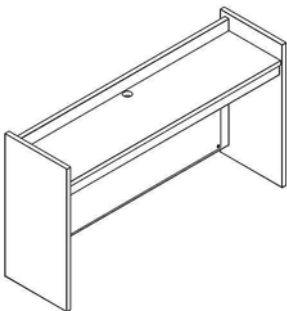
Standard includes:

- Case: veneer plywood or laminate with matching PVC edge band
- Worksurface: laminate with matching PVC edge band
- Species: **K** Oak or **M** Maple; **L** Laminate
- Grommet in worksurface for cable management
- 3/4 height back panel
- Keyboard tray
- Phat Leg A or Phat Leg C configurations
- 3/4 extension epoxy coated drawer slides
- Half-moon pull: black plastic
- Dry-fit connection between case and worksurface
- Shipped assembled

Configurations:

- Phat Leg C: mouse tray, CD storage drawer, deep drawer (as shown)
- Phat Leg D: Pencil drawer, CD drawer, deep drawer

Part Number	Description	D" x W" x H"	Price
SODEBT2436-K	SOLO, Desk, Slab Leg, Phat Leg C, Keyboard Tray	24 x 36 x 29	\$681
SODEBT2436-L	SOLO, Desk, Slab Leg, Phat Leg C, Keyboard Tray	24 x 36 x 29	\$579
SODEBT2436-M	SOLO, Desk, Slab Leg, Phat Leg C, Keyboard Tray	24 x 36 x 29	\$697
SODEBT2444-K	SOLO, Desk, Slab Leg, Phat Leg C, Keyboard Tray	24 x 44 x 29	\$681
SODEBT2444-M	SOLO, Desk, Slab Leg, Phat Leg C, Keyboard Tray	24 x 44 x 29	\$697
SODEBV2436-K	SOLO, Desk, Slab Leg, Phat Leg D, Keyboard Tray	24 x 36 x 29	\$806
SODEBV2436-M	SOLO, Desk, Slab Leg, Phat Leg D, Keyboard Tray	24 x 36 x 29	\$818
SODEBV2444-K	SOLO, Desk, Slab Leg, Phat Leg D, Keyboard Tray	24 x 44 x 29	\$834
SODEBV2444-M	SOLO, Desk, Slab Leg, Phat Leg D, Keyboard Tray	24 x 44 x 29	\$848



71-204

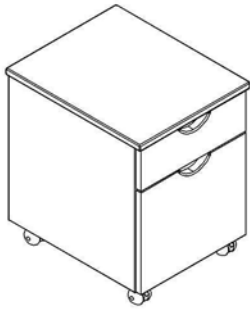
Standard includes:

- Veneer plywood or laminate with matching PVC edge band
- Species: **K** Oak or **M** Maple; **L** Laminate
- Cable management cutouts
- Shipped assembled

Options available:

- Tack board
- Task light: Florescent or LED

Part Number	Description	D" x W" x H"	Price	Tack	Light	LED
SOOR1X1236-K	SOLO, Organizer	12 x 36 x 24	\$224	+\$50	+\$100	+\$187
SOOR1X1236-L	SOLO, Organizer	12 x 36 x 24	\$195	+\$50	+\$100	+\$187
SOOR1X1236-M	SOLO, Organizer	12 x 36 x 24	\$228	+\$50	+\$100	+\$187
SOOR1X1244-K	SOLO, Organizer	12 x 44 x 24	\$253	+\$50	+\$100	+\$187
SOOR1X1244-L	SOLO, Organizer	12 x 44 x 24	\$220	+\$50	+\$100	+\$187
SOOR1X1244-M	SOLO, Organizer	12 x 44 x 24	\$258	+\$50	+\$100	+\$187

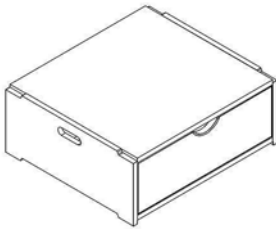


71-204

Standard includes:

- Case: veneer plywood or laminate with matching PVC edge band
- Top: laminate with matching PVC edgeband
- Species: **K** Oak or **M** Maple; **L** Laminate
- Box/ File
- 3/4 extension epoxy coated drawer slides
- Half-moon pull: black plastic
- Casters- 2 locking, 2 non-locking: black plastic
- Dry-fit connection between case and top
- Shipped assembled

Part Number	Description	D" x W" x H"	Price
SOPE1X1619-K	SOLO, Mobile Pedestal, BF, Caster	20 x 17 x 22	\$403
SOPE1X1619-L	SOLO, Mobile Pedestal, BF, Caster	20 x 17 x 22	\$350
SOPE1X1619-M	SOLO, Mobile Pedestal, BF, Caster	20 x 17 x 22	\$411

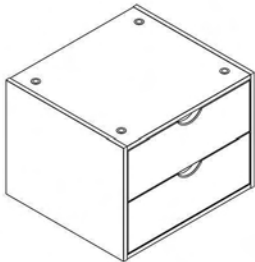


71-204

Standard includes:

- Veneer plywood with matching PVC edge band
- Species: **K** Oak or **M** Maple
- Handhold on sides
- 3/4 extension epoxy coated drawer slides
- Half-moon pulls: black plastic
- Single can stack 5 high; double 2 high
- Integrated safety clip at rear
- Shipped assembled

Part Number	Description	D" x W" x H"	Price
SODR1C2326-K	SOLO, Solo Single Stacker	23 x 26 x 10	\$305
SODR1C2326-M	SOLO, Solo Single Stacker	23 x 26 x 10	\$311
SODR2C2326-K	SOLO, Solo Double Stacker	23 x 26 x 21	\$467
SODR2C2326-M	SOLO, Solo Double Stacker	23 x 26 x 21	\$476

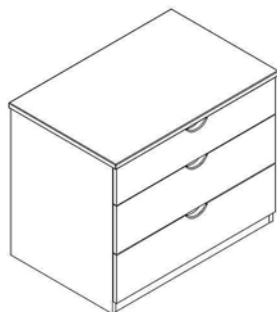


71-204

Standard includes:

- Laminate with matching PVC edge band
- 3/4 extension epoxy coated drawer slides
- Half-moon pulls: black plastic
- Single can stack 5 high; double 2 high
- Integrated safety clip at rear
- Shipped assembled

Part Number	Description	D" x W" x H"	Price
SODR1C2426-L	SOLO, Solo Single Stacker	24 x 26 x 10	\$265
SODR2C2426-L	SOLO, Solo Double Stacker	24 x 26 x 21	\$406



71-204

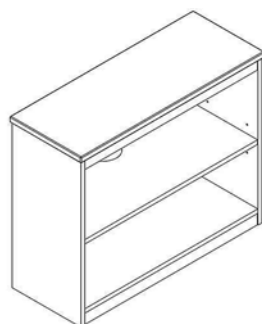
Standard includes:

- Case: veneer plywood or laminate with matching PVC edge band
- Top: laminate on three drawer or veneer on 4 and 5 drawer veneer chest; with matching PVC edge band
- Species: **K** Oak or **M** Maple; **L** Laminate
- 3/4 extension epoxy coated drawer slides
- Half-moon pulls: black plastic
- Dry-fit connection between case and top
- Shipped assembled

Option available:

- Hasp lock on top drawer, only: black

Part Number	Description	D" x W" x H"	Price	Drawer Hasp
SODR3X2430-K	SOLO, Chest, 3-Drawer	24 x 30 x 29	\$817	+\$35
SODR3X2430-L	SOLO, Chest, 3-Drawer	24 x 30 x 29	\$710	+\$35
SODR3X2430-M	SOLO, Chest, 3-Drawer	24 x 30 x 29	\$833	+\$35
SODR3X2436-K	SOLO, Chest, 3-Drawer	24 x 36 x 29	\$844	+\$35
SODR3X2436-L	SOLO, Chest, 3-Drawer	24 x 36 x 29	\$734	+\$35
SODR3X2436-M	SOLO, Chest, 3-Drawer	24 x 36 x 29	\$861	+\$35
SODR4X2430-K	SOLO, Chest, 4-Drawer	24 x 30 x 38	\$919	+\$35
SODR4X2430-L	SOLO, Chest, 4-Drawer	24 x 30 x 38	\$809	+\$35
SODR4X2430-M	SOLO, Chest, 4-Drawer	24 x 30 x 38	\$936	+\$35
SODR5X2430-K	SOLO, Chest, 5-Drawer	24 x 30 x 47	\$994	+\$35
SODR5X2430-L	SOLO, Chest, 5-Drawer	24 x 30 x 47	\$884	+\$35
SODR5X2430-M	SOLO, Chest, 5-Drawer	24 x 30 x 47	\$1,011	+\$35

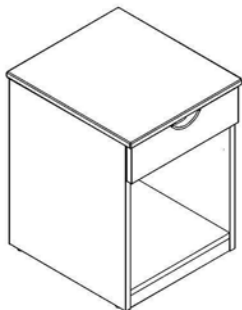


71-204

Standard includes:

- Case: veneer plywood or laminate with matching PVC edge band
- Top: laminate with matching PVC edge band
- Species: **K** Oak or **M** Maple; **L** Laminate
- Two fixed shelves
- Cable management cutouts
- Shipped assembled

Part Number	Description	D" x W" x H"	Price
SOBK2S1436-K	SOLO, Bookcase, 2-Shelf	14 x 36 x 29	\$383
SOBK2S1436-L	SOLO, Bookcase, 2-Shelf	14 x 36 x 29	\$333
SOBK2S1436-M	SOLO, Bookcase, 2-Shelf	14 x 36 x 29	\$391
SOBK3S1436-K	SOLO, Bookcase, 3-Shelf	14 x 36 x 38	\$469
SOBK3S1436-L	SOLO, Bookcase, 3-Shelf	14 x 36 x 38	\$408
SOBK3S1436-M	SOLO, Bookcase, 3-Shelf	14 x 36 x 38	\$478
SOBK4S1430-K	SOLO, Bookcase, 4-Shelf	14 x 30 x 48	\$555
SOBK4S1430-L	SOLO, Bookcase, 4-Shelf	14 x 30 x 48	\$483
SOBK4S1430-M	SOLO, Bookcase, 4-Shelf	14 x 30 x 48	\$566
SOBK5S1430-K	SOLO, Bookcase, 5-Shelf	14 x 30 x 60	\$584
SOBK5S1430-M	SOLO, Bookcase, 5-Shelf	14 x 30 x 60	\$596
SOBK6S1430-K	SOLO, Bookcase, 6-Shelf	14 x 30 x 72	\$644
SOBK6S1430-M	SOLO, Bookcase, 6-Shelf	14 x 30 x 72	\$656

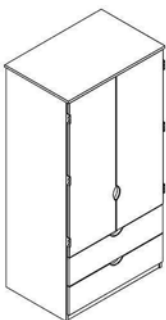


71-204

Standard includes:

- Case: veneer plywood or laminate with matching PVC edge band
- Top: laminate with matching PVC edge band
- Species: **K** Oak or **M** Maple; **L** Laminate
- 3/4 extension epoxy coated drawer slides
- Half-moon pulls: black plastic
- Dry-fit connection between case and top
- Shipped assembled

Part Number	Description	D" x W" x H"	Price
SONS1D2018-K	SOLO, Night Stand, 1-Drawer	20 x 18 x 24	\$366
SONS1D2018-L	SOLO, Night Stand, 1-Drawer	20 x 18 x 24	\$318
SONS1D2018-M	SOLO, Night Stand, 1-Drawer	20 x 18 x 24	\$373
SONS2D2018-K	SOLO, Night Stand, 2-Drawer	20 x 18 x 24	\$441
SONS2D2018-L	SOLO, Night Stand, 2-Drawer	20 x 18 x 24	\$393
SONS2D2018-M	SOLO, Night Stand, 2-Drawer	20 x 18 x 24	\$450



71-204

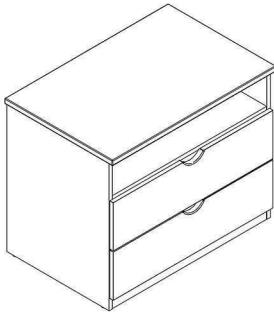
Standard includes:

- Veneer plywood with matching PVC edge band
- Species: **K** Oak or **M** Maple
- 3/4 extension epoxy coated drawer slides, if specified
- Half-moon pulls: black plastic
- Cable management cutouts in back
- Closet rod
- Coat hook on inside of door
- Dry-fit connection between case and top
- Shipped assembled

Options available:

- Mirror, 14w x 24h
- Towel bar

Part Number	Description	D" x W" x H"	Price	Mirror	TwlBar
SOWABP2436-K	SOLO, 72 Wardrobe, 2 Door	24 x 36 x 72	\$1,158	+\$50	+\$43
SOWABP2436-L	SOLO, 72 Wardrobe, 2 Door	24 x 36 x 72	\$965	+\$50	+\$43
SOWABP2436-M	SOLO, 72 Wardrobe, 2 Door	24 x 36 x 72	\$1,181	+\$50	+\$43
SOWACG2436-K	SOLO, Wardrobe, 2 Door, 2-Drawer	24 x 36 x 72	\$1,308	+\$50	+\$43
SOWACG2436-L	SOLO, Wardrobe, 2 Door, 2-Drawer	24 x 36 x 72	\$1,115	+\$50	+\$43
SOWACG2436-M	SOLO, Wardrobe, 2 Door, 2-Drawer	24 x 36 x 72	\$1,331	+\$50	+\$43



71-204

- Standard includes:**
- Case: veneer plywood with matching PVC edge band
 - Top: laminate with matching PVC edge band
 - Species: **K** Oak or **M** Maple
 - Half-moon pulls: black plastic
 - 3/4 extension epoxy coated drawer slides
 - Open shelf with cable management grommet in back
 - Dry-fit connection between case and top
 - Shipped assembled

Part Number	Description	D" x W" x H"	Price
SOTVT32232-K	SOLO, TV Stand, 2-Drawer, DVD Shelf	22 x 32 x 25	\$794
SOTVT32232-M	SOLO, TV Stand, 2-Drawer, DVD Shelf	22 x 32 x 25	\$811