

It's the tradition of furniture from days gone by, thanks to solid hardwood frames and drawer fronts with hardwood veneer panel inserts.



## Features

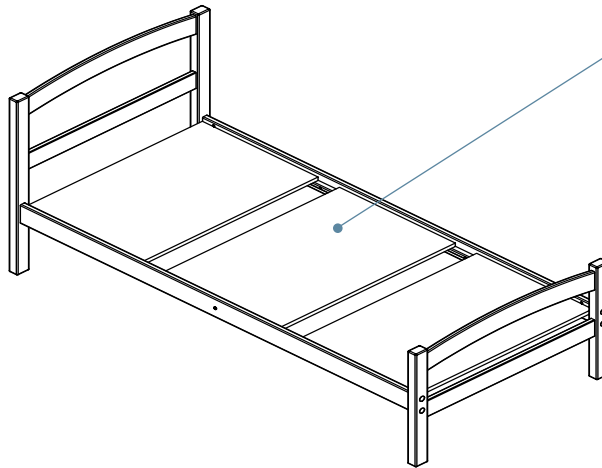
### Bed

#### Construction

Glue and dowel assembly  
Solid hardwood posts and rails.

#### Sizes

Available in queen, full and twin.



#### Bed deck.

3-piece wood deck is at fixed height.

### Desk

#### Construction

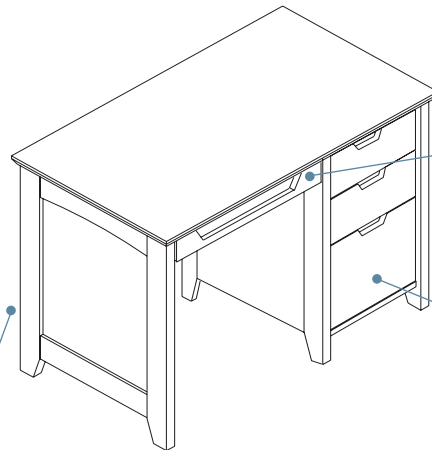
Dry-fit construction uses hidden metal-to-metal fasteners allowing simple component replacement in the field.

Hardwood veneer panel inserts with solid hardwood frame. 1" laminate work surface with solid hardwood beveled edges.

Drawers have removable, solid hardwood fronts; 1/2" veneer plywood sides; 1/4" bottom with waterproof vinyl face; glue and dowel joinery; and open to 3/4 of their depth.

#### Back panel.

3/4 height for access to wall outlets and easy cable routing.



#### Configurations

Available as a desk shell without storage or pedestal desk with Box/ Box/ File storage.

#### Drawer choices.

Combination drawer has a cutout to access keyboard and available on the desk shell. Optional keyboard tray or computer drawer are available on the pedestal desk.

#### Box/ Box/ File drawers.

Have integrated cutout pulls and 3/4 extension epoxy coated slides.

## Features

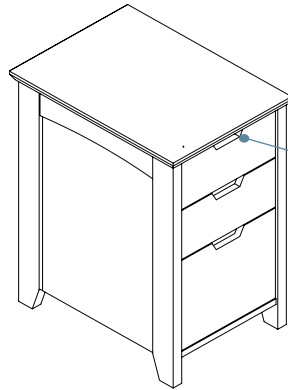
### Pedestal Storage

#### Construction

Dry-fit construction uses hidden metal-to-metal fasteners allowing simple component replacement in the field.

Hardwood veneer panel inserts with solid hardwood frame. 1" laminate top with solid hardwood beveled edges.

Drawers have removable, solid hardwood fronts; 1/2" veneer plywood sides; 1/4" bottom with waterproof vinyl face; glue and dowel joinery; and open to 3/4 of their depth.



#### Configurations

Three pedestal storage options are available: Box/ File with or without casters and Box/ Box/ File.

#### Drawers.

Have integrated cutout pulls and 3/4 extension epoxy coated slides.

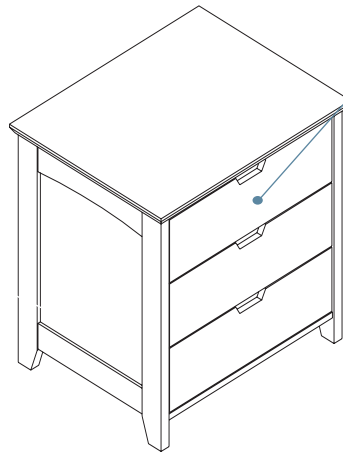
### Chest

#### Construction

Dry-fit construction uses hidden metal-to-metal fasteners allowing simple component replacement in the field.

Hardwood veneer panel inserts with solid hardwood frame. 1" laminate top with solid hardwood beveled edges.

Drawers have removable, solid hardwood fronts; 1/2" veneer plywood sides; 1/4" bottom with waterproof vinyl face; glue and dowel joinery; and open to 3/4 of their depth.



#### Configurations

Available with 3-, 4-, or 6-drawers.

#### Drawers.

Have integrated cutout pulls and 3/4 extension epoxy coated slides.

## Features

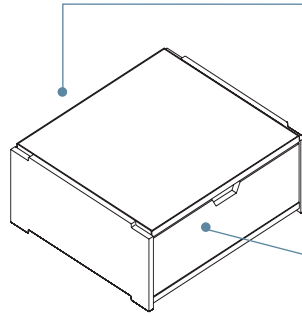
### Stacking Drawer

#### Construction

Dry-fit construction uses hidden metal-to-metal fasteners allowing simple component replacement in the field.

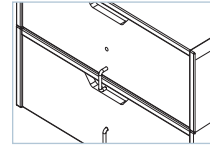
3/4" solid hardwood sides.

Drawer has removable, solid hardwood fronts; 1/2" veneer plywood sides; 1/4" bottom with waterproof vinyl face; glue and dowel joinery; and open to 3/4 of their depth.



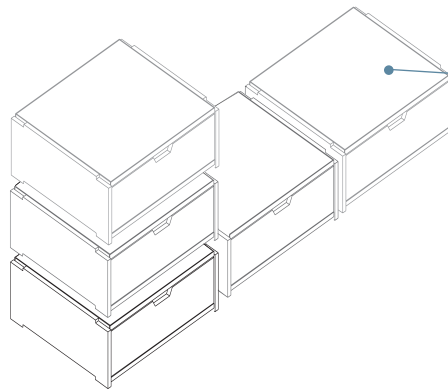
#### Integrated connector clip.

Located on the back side to link units when stacked.



#### Drawers.

Have integrated cutout pulls and 3/4 extension epoxy coated slides.



#### Stack or nest.

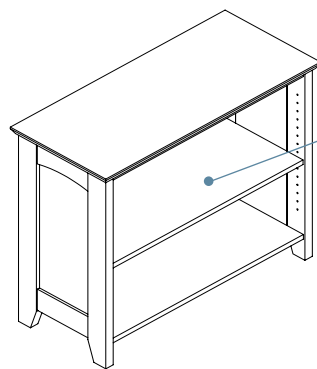
Can be used side-by-side or stack 5-high.

### Bookcase

#### Construction

Dry-fit construction uses hidden metal-to-metal fasteners allowing simple component replacement in the field.

Hardwood veneer panel inserts with solid hardwood frame. 1" laminate top with solid hardwood beveled edges.



#### Configurations

Available in 12" and 16" depths.

#### Adjustable shelf.

## Features

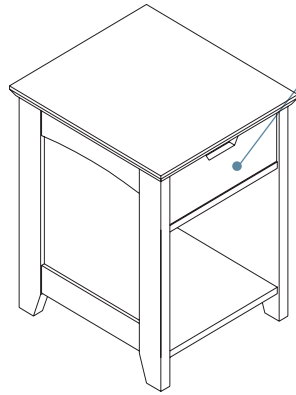
### Nightstand

#### Construction

Dry-fit construction uses hidden metal-to-metal fasteners allowing simple component replacement in the field.

Hardwood veneer panel inserts with solid hardwood frame. 1" laminate top with solid hardwood beveled edges.

Drawer has removable, solid hardwood fronts; 1/2" veneer plywood sides; 1/4" bottom with waterproof vinyl face; glue and dowel joinery; and open to 3/4 of their depth.



#### Drawer.

Has integrated cutout pull and 3/4 extension epoxy coated slides.

### Wardrobe

#### Construction

Dry-fit construction uses hidden metal-to-metal fasteners allowing simple component replacement in the field.

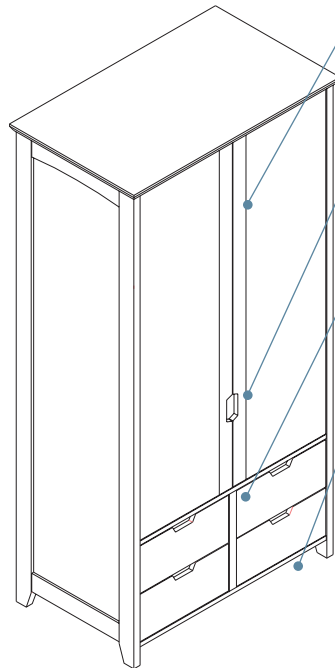
Hardwood veneer panel inserts with solid hardwood frame. Plywood top with solid hardwood beveled edges.

Drawers have removable, solid hardwood fronts; 1/2" veneer plywood sides; 1/4" bottom with waterproof vinyl face; glue and dowel joinery; and open to 3/4 of their depth.

Doors are 3/4" hardwood veneer plywood panels with solid hardwood pulls.

#### Configurations

Available with 2-doors or 2-doors with 2- or 4-drawers.



#### Interior.

Coat rod and coat hook are standard. Optional towel bar and mirror.

#### Pulls.

Doors and drawers have integrated cutout pulls.

#### Drawers.

Have 3/4 extension epoxy coated slides.

#### Leveler glides.

Four adjustable glides accommodate uneven floors.

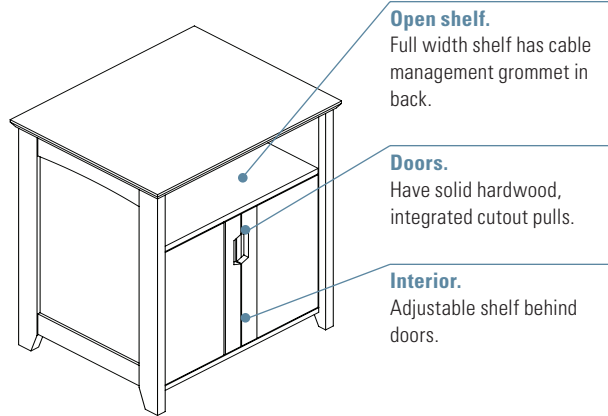
## Features

### TV Stand

#### Construction

Dry-fit construction uses hidden metal-to-metal fasteners allowing simple component replacement in the field.

Hardwood veneer panel inserts with solid hardwood frame. 1" laminate top with solid hardwood beveled edges.



**Open shelf.**  
Full width shelf has cable management grommet in back.

**Doors.**  
Have solid hardwood, integrated cutout pulls.

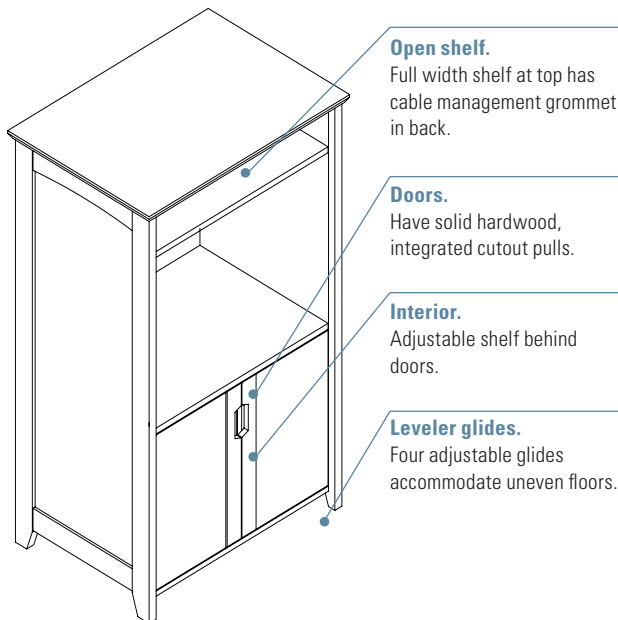
**Interior.**  
Adjustable shelf behind doors.

### Entertainment Center

#### Construction

Dry-fit construction uses hidden metal-to-metal fasteners allowing simple component replacement in the field.

Hardwood veneer panel inserts with solid hardwood frame. Plywood top with solid hardwood beveled edges.



**Open shelf.**  
Full width shelf at top has cable management grommet in back.

**Doors.**  
Have solid hardwood, integrated cutout pulls.

**Interior.**  
Adjustable shelf behind doors.

**Leveler glides.**  
Four adjustable glides accommodate uneven floors.

## Statement of Line



Products not shown: Stacking Drawer, Bookcase, Wardrobe, TV Stand

## Configurations



## How to Specify

---

Example.    1. Model Number/Size    2. Species and Finish

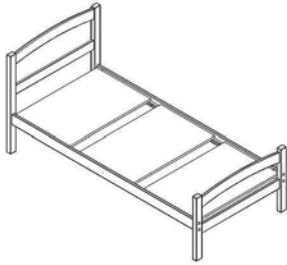
**60BK1S1230**                  **K02**

Step 1.        Identify the Part Number from the succeeding product price pages.

Step 2.        Select the Species:

**K**    Oak  
02    Light  
40    Medium

**M**    Maple  
01    Natural  
42    Cherry  
60    Cocoa  
76    Mocha



71-204  
 Tip: mattress sizes- Twin 36x80, Full 54x80, Queen 60x80

**Standard includes:**

- Solid hardwood posts and rails
- Species: **K** Oak or **M** Maple
- Deck: 3-piece wood
- Shipped ready to assemble

Part Number	Description	D" x W" x H"	Price
60BE3W4084-K	SHAKER (RH60), Bed, 3-Piece Deck, Twin	40 x 84 x 37	\$812
60BE3W4084-M	SHAKER (RH60), Bed, 3-Piece Deck, Twin	40 x 84 x 37	\$868
60BE3W5884-K	SHAKER (RH60), Bed, 3-Piece Deck, Full	58 x 84 x 37	\$1,152
60BE3W5884-M	SHAKER (RH60), Bed, 3-Piece Deck, Full	58 x 84 x 37	\$1,208
60BE3W6484-K	SHAKER (RH60), Bed, 3-Piece Deck, Queen	64 x 84 x 37	\$1,208
60BE3W6484-M	SHAKER (RH60), Bed, 3-Piece Deck, Queen	64 x 84 x 37	\$1,266



71-204

**Standard includes:**

- Desk case: solid hardwood with veneer plywood panels
- Worksurface: laminate with solid wood edges
- Drawer front: solid wood
- Species: **K** Oak or **M** Maple
- Combination computer/ pencil drawer with 3/4 extension epoxy coated drawer slides, if selected
- 3/4 height back panel
- Dry-fit construction
- Shipped assembled

Part Number	Description	D" x W" x H"	Price
60DEAZ2442-K	SHAKER (RH60), Desk, Slab Leg	24 x 42 x 30	\$898
60DEAZ2442-M	SHAKER (RH60), Desk, Slab Leg	24 x 42 x 30	\$940
60DEAZ2448-K	SHAKER (RH60), Desk, Slab Leg	24 x 48 x 30	\$924
60DEAZ2448-M	SHAKER (RH60), Desk, Slab Leg	24 x 48 x 30	\$968
60DEBD2442-K	SHAKER (RH60), Desk, Slab Leg, Full Width Combination Drawer	24 x 42 x 30	\$1,158
60DEBD2442-M	SHAKER (RH60), Desk, Slab Leg, Full Width Combination Drawer	24 x 42 x 30	\$1,208
60DEBD2448-K	SHAKER (RH60), Desk, Slab Leg, Full Width Combination Drawer	24 x 48 x 30	\$1,198
60DEBD2448-M	SHAKER (RH60), Desk, Slab Leg, Full Width Combination Drawer	24 x 48 x 30	\$1,250



71-204

**Standard includes:**

- Desk case: solid hardwood with veneer plywood panels
- Worksurface: laminate with solid wood edges
- Drawer fronts: solid wood
- Species: **K** Oak or **M** Maple
- Box/ Box/ File
- 3/4 extension epoxy coated drawer slides
- Integral pulls
- Dry-fit construction
- Shipped assembled

Part Number	Description	D" x W" x H"	Price
60DEBG2442-K	SHAKER (RH60), Desk, Slab Leg, BBF	24 x 42 x 30	\$1,346
60DEBG2442-M	SHAKER (RH60), Desk, Slab Leg, BBF	24 x 42 x 30	\$1,380
60DEBG2448-K	SHAKER (RH60), Desk, Slab Leg, BBF	24 x 48 x 30	\$1,368
60DEBG2448-M	SHAKER (RH60), Desk, Slab Leg, BBF	24 x 48 x 30	\$1,402
60DEBH2442-K	SHAKER (RH60), Desk, Slab Leg, BBF, Keyboard Tray	24 x 42 x 30	\$1,546
60DEBH2442-M	SHAKER (RH60), Desk, Slab Leg, BBF, Keyboard Tray	24 x 42 x 30	\$1,586
60DEBH2448-K	SHAKER (RH60), Desk, Slab Leg, BBF, Keyboard Tray	24 x 48 x 30	\$1,572
60DEBH2448-M	SHAKER (RH60), Desk, Slab Leg, BBF, Keyboard Tray	24 x 48 x 30	\$1,614
60DEBK2442-K	SHAKER (RH60), Desk, Slab Leg, BBF, Computer Drawer	24 x 42 x 30	\$1,472
60DEBK2442-M	SHAKER (RH60), Desk, Slab Leg, BBF, Computer Drawer	24 x 42 x 30	\$1,514
60DEBK2448-K	SHAKER (RH60), Desk, Slab Leg, BBF, Computer Drawer	24 x 48 x 30	\$1,502
60DEBK2448-M	SHAKER (RH60), Desk, Slab Leg, BBF, Computer Drawer	24 x 48 x 30	\$1,544



71-204

**Standard includes:**

- Case: solid hardwood with veneer plywood panels
- Top: laminate with solid wood edges
- Drawer fronts: solid wood
- Species: **K** Oak or **M** Maple
- Box/ File
- 3/4 extension epoxy coated drawer slides
- Integral pulls
- Casters, non-locking: black plastic
- Dry-fit construction
- Shipped assembled

Part Number	Description	D" x W" x H"	Price
60PE1X2216-K	SHAKER (RH60), Mobile Pedestal, BF, Casters	22 x 16 x 28	\$824
60PE1X2216-M	SHAKER (RH60), Mobile Pedestal, BF, Casters	22 x 16 x 28	\$854



71-204

- Standard includes:**
- Case: solid hardwood with veneer plywood panels
  - Top: laminate with solid wood edges
  - Drawer fronts: solid wood
  - Species: **K** Oak or **M** Maple
  - Box/ File or Box/ Box/ File configuration
  - 3/4 extension nylon drawer slides
  - Integral pulls
  - Dry-fit construction
  - Shipped assembled

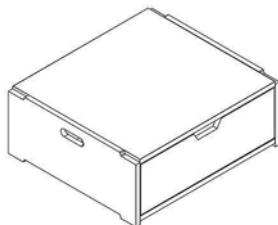
Part Number	Description	D" x W" x H"	Price
60PEM12216-K	SHAKER (RH60), Movable Pedestal, BF	22 x 16 x 25	\$772
60PEM12216-M	SHAKER (RH60), Movable Pedestal, BF	22 x 16 x 25	\$798
60PEM32216-K	SHAKER (RH60), Movable Pedestal, BBF	22 x 16 x 28	\$798
60PEM32216-M	SHAKER (RH60), Movable Pedestal, BBF	22 x 16 x 28	\$824



71-204

- Standard includes:**
- Case: solid hardwood with veneer plywood panels
  - Top: laminate with solid wood edges
  - Drawer fronts: solid wood
  - Species: **K** Oak or **M** Maple
  - 3/4 extension epoxy coated drawer slides
  - Integral pulls
  - Dry-fit construction
  - Shipped assembled

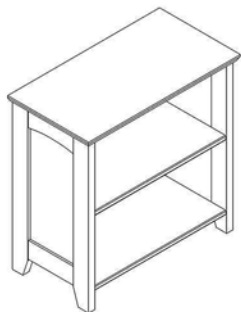
Part Number	Description	D" x W" x H"	Price
60DR3X2430-K	SHAKER (RH60), Chest, 3-Drawer	24 x 30 x 30	\$1,184
60DR3X2430-M	SHAKER (RH60), Chest, 3-Drawer	24 x 30 x 30	\$1,226
60DR4X2430-K	SHAKER (RH60), Chest, 4-Drawer	24 x 30 x 38	\$1,422
60DR4X2430-M	SHAKER (RH60), Chest, 4-Drawer	24 x 30 x 38	\$1,464
60DR6X2430-K	SHAKER (RH60), Chest, 6-Drawer	24 x 30 x 46	\$2,176
60DR6X2430-M	SHAKER (RH60), Chest, 6-Drawer	24 x 30 x 46	\$2,218



71-204

- Standard includes:**
- Case: solid hardwood
  - Top: laminate with matching PVC edge band
  - Species: **K** Oak or **M** Maple
  - Nest or stack 5-high
  - Integrated safety connector clip at rear
  - 3/4 extension epoxy coated drawer slides
  - Integral pull
  - Dry-fit construction
  - Shipped assembled

Part Number	Description	D" x W" x H"	Price
60DR1A2426-K	SHAKER (RH60), Single Drawer Stacker	24 x 26 x 10	\$434
60DR1A2426-M	SHAKER (RH60), Single Drawer Stacker	24 x 26 x 10	\$454



71-204

**Standard includes:**

- Case: solid hardwood with veneer plywood panels
- Top: laminate with solid wood edges
- Species: **K** Oak or **M** Maple
- Adjustable shelf
- Dry-fit construction
- Shipped assembled

Part Number	Description	D" x W" x H"	Price
60BK1S1230-K	SHAKER (RH60), Bookcase, 1-Shelf	12 x 30 x 30	\$606
60BK1S1230-M	SHAKER (RH60), Bookcase, 1-Shelf	12 x 30 x 30	\$622
60BK1S1236-K	SHAKER (RH60), Bookcase, 1-Shelf	12 x 36 x 30	\$636
60BK1S1236-M	SHAKER (RH60), Bookcase, 1-Shelf	12 x 36 x 30	\$652
60BK1S1630-K	SHAKER (RH60), Bookcase, 1-Shelf	16 x 30 x 30	\$622
60BK1S1630-M	SHAKER (RH60), Bookcase, 1-Shelf	16 x 30 x 30	\$636
60BK1S1636-K	SHAKER (RH60), Bookcase, 1-Shelf	16 x 36 x 30	\$652
60BK1S1636-M	SHAKER (RH60), Bookcase, 1-Shelf	16 x 36 x 30	\$664



71-204

**Standard includes:**

- Case: solid hardwood with veneer plywood panels
- Top: laminate with solid wood edges
- Drawer front: solid wood
- Species: **K** Oak or **M** Maple
- 3/4 extension epoxy coated drawer slides
- Integral pull
- Dry-fit construction
- Shipped assembled

Part Number	Description	D" x W" x H"	Price
60NS1D2119-K	SHAKER (RH60), Night Stand, 1-Drawer	21 x 19 x 26	\$664
60NS1D2119-M	SHAKER (RH60), Night Stand, 1-Drawer	21 x 19 x 26	\$680



71-204

**Standard includes:**

- Case: solid hardwood with veneer plywood panels
- Top: plywood with solid wood edges
- Drawer fronts: solid wood
- Species: **K** Oak or **M** Maple
- Drawers have 3/4 extension epoxy coated slides, if specified
- Closet rod
- Hook on inside of door
- Integral pulls
- Dry-fit construction
- Shipped assembled

**Options available:**

- Mirror
- Tower bar

Part Number	Description	D" x W" x H"	Price	Mirror	TwlBar
60WAAI2442-K	SHAKER (RH60), Wardrobe, Closet Rod, Hook, 4-Drawer Split	24 x 42 x 74	\$3,592	+\$50	+\$88
60WAAI2442-M	SHAKER (RH60), Wardrobe, Closet Rod, Hook, 4-Drawer Split	24 x 42 x 74	\$3,662	+\$50	+\$88
60WABP2436-K	SHAKER (RH60), Wardrobe, Closet Rod, Hook, 2 Door	24 x 36 x 74	\$2,594	+\$50	+\$88
60WABP2436-M	SHAKER (RH60), Wardrobe, Closet Rod, Hook, 2 Door	24 x 36 x 74	\$2,662	+\$50	+\$88

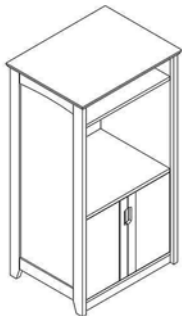


71-204

**Standard includes:**

- Case: solid hardwood with veneer plywood panels
- Top: laminate with solid wood edges
- Door fronts: solid wood
- Species: **K** Oak or **M** Maple
- Open shelf with cable management grommet in back panel
- Adjustable shelf behind doors
- Integral pulls
- Dry-fit construction
- Shipped assembled

Part Number	Description	D" x W" x H"	Price
60TVT12536-K	SHAKER (RH60), TV Stand, 2 Door, DVD Shelf	25 x 36 x 30	\$1,588
60TVT12536-M	SHAKER (RH60), TV Stand, 2 Door, DVD Shelf	25 x 36 x 30	\$1,672



71-204

**Standard includes:**

- Case: solid hardwood with veneer plywood panels
- Top: plywood with solid wood edges
- Door fronts: solid wood
- Species: **K** Oak or **M** Maple
- Slim shelf at top with cable management grommet in back
- Fixed height TV shelf with cable management grommet in back
- Adjustable shelf behind doors
- Integral pulls
- Dry-fit construction
- Shipped assembled

Part Number	Description	D" x W" x H"	Price
60TVE12436-K	SHAKER (RH60), Entertainment Center, Fixed Shelf, 2 Doors	24 x 36 x 60	\$2,048
60TVE12436-M	SHAKER (RH60), Entertainment Center, Fixed Shelf, 2 Doors	24 x 36 x 60	\$2,132