

With an extensive product line that covers bedroom, living spaces, office and more, Westwood offers stylish storage with a clean design. The classic beauty of solid wood construction provides strength and style for any room setting.



Features

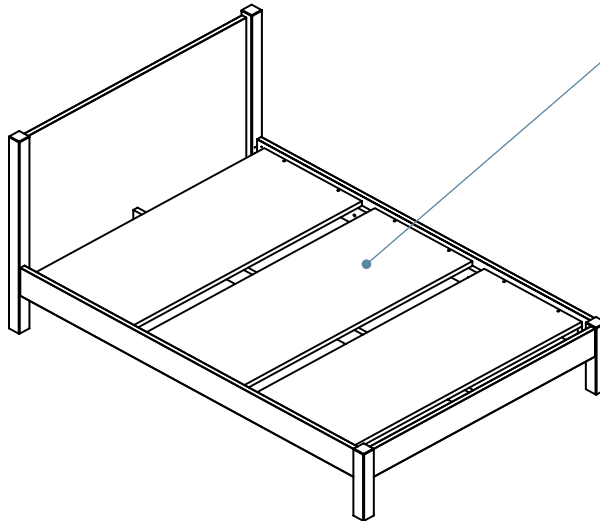
Bed

Construction

Solid hardwood posts with veneer plywood panels and rails with matching PVC edge band.

Sizes

Available in king, queen, full and twin.



Bed deck.

3-piece wood deck is at fixed height.

Platform style bed

Designed to be used with mattress and no box spring to provide a low profile appearance.

Desk

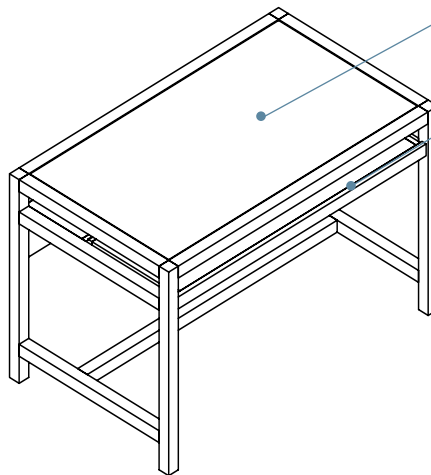
Construction

Glue and dowel assembly

Solid hardwood frame with veneer or glass top work surface and solid hardwood nosing.

Back panel.

Partial modesty panel provides privacy.



Work surface.

Available with a wood veneer or glass top.

Pull out shelf.

Full width pull out shelf contains 4 cubbies to keep small items organized.

Features

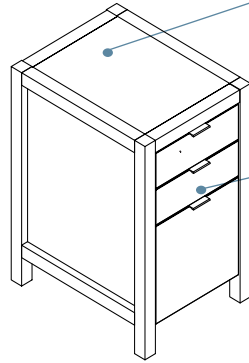
Pedestal

Construction

Glue and dowel assembly

¾" hardwood veneer panel insets with solid hardwood frame and a veneer top with solid hardwood nosing.

Drawers have removable, ¾" hardwood veneer fronts with matching PVC edge band; ½" veneer plywood sides; ¼" bottom with waterproof vinyl face; glue and dowel joinery; and open to their full depth.



Height.

At 30" high, the pedestal aligns with the work surface height of desk providing more work space.

Box/ Box/ File drawers.

Have black metal pulls and soft close, full extension steel ball bearing slides that provide a gentle, controlled closing.

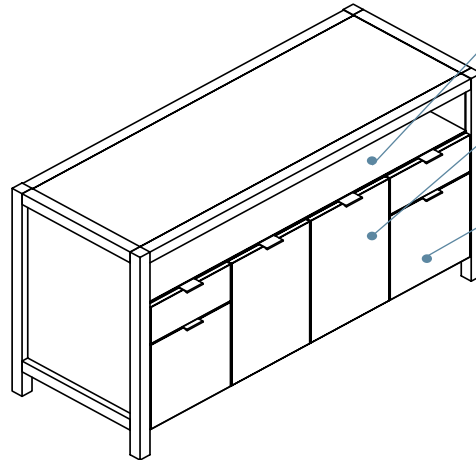
Credenza

Construction

Glue and dowel assembly

¾" hardwood veneer panel insets with solid hardwood frame and a veneer top with solid hardwood nosing.

Drawers have removable, ¾" hardwood veneer fronts with matching PVC edge band; ½" veneer plywood sides; ¼" bottom with waterproof vinyl face; glue and dowel joinery; and open to their full depth.



Slim shelf.

Full width slim shelf keeps small items handy.

Interior.

Two doors open to an adjustable shelf behind.

Box/ File drawers.

Have black metal pulls and soft close, full extension steel ball bearing slides that provide a gentle, controlled close.

Features

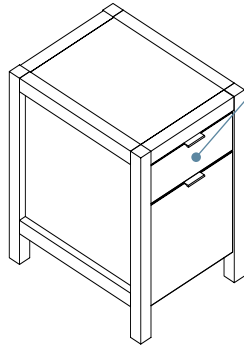
Nightstand

Construction

Glue and dowel assembly

$\frac{3}{4}$ " hardwood veneer panel insets with solid hardwood frame and a veneer top with solid hardwood nosing.

Drawers have removable, $\frac{3}{4}$ " hardwood veneer fronts with matching PVC edge band; $\frac{1}{2}$ " veneer plywood sides; $\frac{1}{4}$ " bottom with waterproof vinyl face; glue and dowel joinery; and open to their full depth.



Drawers.

Have black metal pulls and soft close, full extension steel ball bearing slides that provide a gentle, controlled close.

Configurations

Available with 1- or 2-drawers.

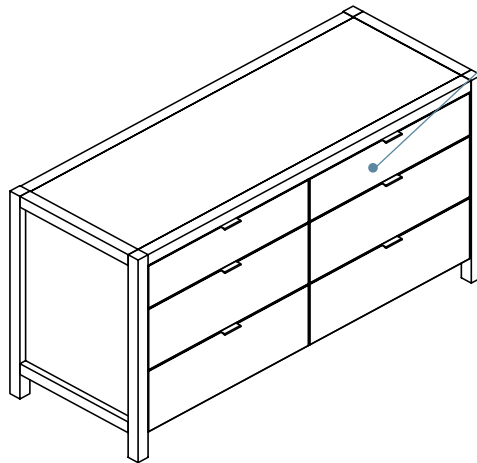
Chest

Construction

Glue and dowel assembly

$\frac{3}{4}$ " hardwood veneer panel insets with solid hardwood frame and a veneer top with solid hardwood nosing.

Drawers have removable, $\frac{3}{4}$ " hardwood veneer fronts with matching PVC edge band; $\frac{1}{2}$ " veneer plywood sides; $\frac{1}{4}$ " bottom with waterproof vinyl face; glue and dowel joinery; and open to their full depth.



Drawers.

Have black metal pulls and soft close, full extension steel ball bearing slides that provide a gentle, controlled close.

Configurations.

Available with 3-, 5- or 6-drawers.

Features

Armoire

Construction

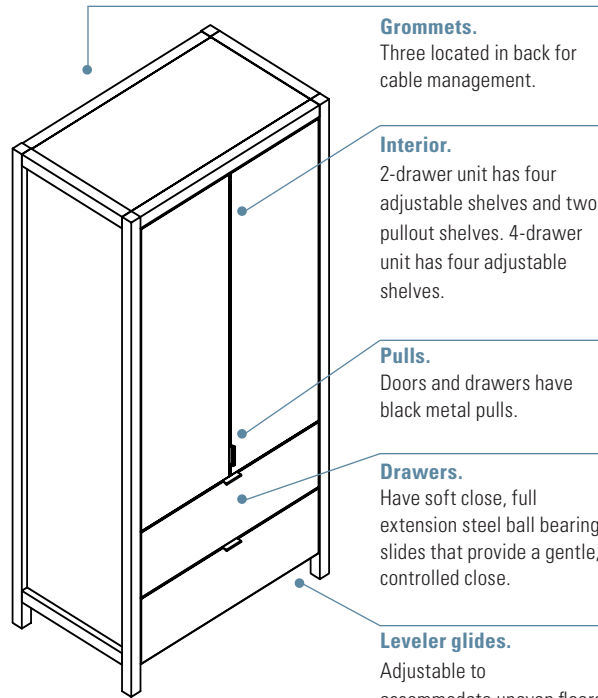
Glue and dowel assembly

3/4" hardwood veneer panel insets with solid hardwood frame and a veneer top with solid hardwood nosing.

Drawers have removable, 3/4" hardwood veneer fronts with matching PVC edge band; 1/2" veneer plywood sides; 1/4" bottom with waterproof vinyl face; glue and dowel joinery; and open to their full depth.

Configurations

Available with 2-doors and 2- or 4-drawers.



Grommets.

Three located in back for cable management.

Interior.

2-drawer unit has four adjustable shelves and two pullout shelves. 4-drawer unit has four adjustable shelves.

Pulls.

Doors and drawers have black metal pulls.

Drawers.

Have soft close, full extension steel ball bearing slides that provide a gentle, controlled close.

Leveler glides.

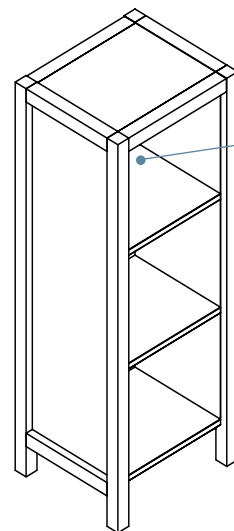
Adjustable to accommodate uneven floors.

Bookcase

Construction

Glue and dowel assembly

3/4" hardwood veneer panel insets with solid hardwood frame and a veneer top with solid hardwood nosing.



Configurations

3-, 4- or 5-high units available in two widths (19" or 27" wide).

Cable management.

Fixed shelves have cutouts at back to allow cables to be managed vertically and stay organized. Cable grommet egress at back manages cables to exterior.

Features

Storage Cabinet

Construction

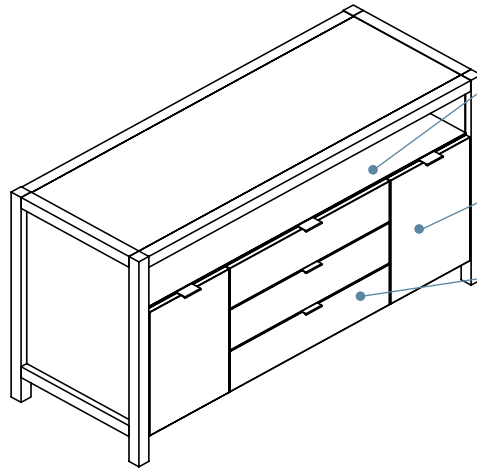
Glue and dowel assembly

3/4" hardwood veneer panel insets with solid hardwood frame and a veneer top with solid hardwood nosing.

Drawers have removable, 3/4" hardwood veneer fronts with matching PVC edge band; 1/2" veneer plywood sides; 1/4" bottom with waterproof vinyl face; glue and dowel joinery; and open to their full depth.

Configurations

Available with three center drawers and 2-doors or 4-doors and 2-drawers.



Slim shelf.

Full width slim shelf provides a place for small items.

Interior.

Open storage space behind doors.

Drawers.

Have black metal pulls and soft close, full extension steel ball bearing slides that provide a gentle, controlled close.

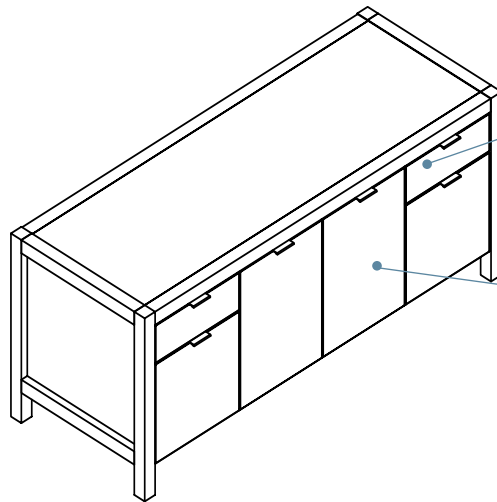
Media Storage

Construction

Glue and dowel assembly

3/4" hardwood veneer panel insets with solid hardwood frame and a veneer top with solid hardwood nosing.

Drawers have removable, 3/4" hardwood veneer fronts with matching PVC edge band; 1/2" veneer plywood sides; 1/4" bottom with waterproof vinyl face; glue and dowel joinery; and open to their full depth.



Configurations

Available with or without doors.

Drawers.

Have black metal pulls and soft close, full extension steel ball bearing slides that provide a gentle, controlled close.

Interior.

Doors are optional. Adjustable shelf with cable management grommet in back.

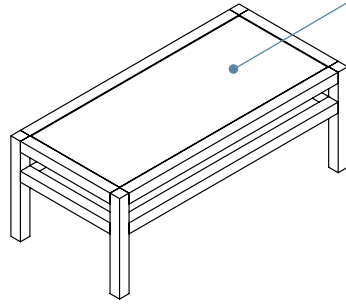
Features

Tables

Construction

Glue and dowel assembly

Solid hardwood frame with hardwood veneer plywood or glass top work surface and solid hardwood nosing.

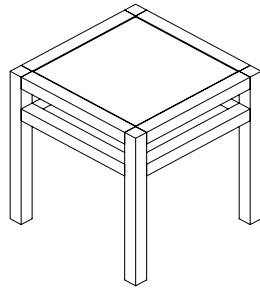


Top.

Available with a wood veneer or glass top.

Choices

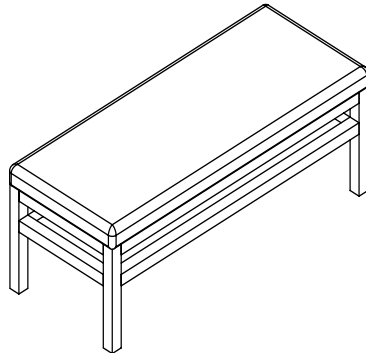
Collection includes a dining table and matching end, coffee and sofa occasional tables.



Luggage Bench

Construction

Upholstered cushion with solid hardwood legs.



Statement of Line



Bed



Desk



Six Drawer Chest



Nightstand



Wardrobe



Bookcase



Pedestal



Media Storage



Cabinet Storage



Bench



Dining Table



Coffee Table



End Table

Product not shown: Credenza

Configurations



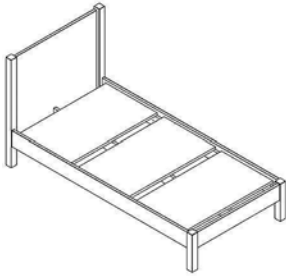
How to Specify

Example. 1. Model Number/Size 2. Species 3. Finish
 WWBK3S1719 **M** **01**

Step 1. Identify the Part Number from the succeeding product price pages.

Step 2. Select the Species:
M Maple

Step 3. Choose the Finish:
01 Natural
42 Cherry
60 Cocoa
76 Mocha



71-204

Tip: mattress sizes- Twin 36x80, Full 54x80, Queen 60x80, King 78x80

Standard includes:

- Bed: solid wood posts with veneer plywood panels and rails: Maple
- Platform style bed
- Deck: 3-piece wood
- Shipped ready to assemble

Part Number	Description	D" x W" x H"	Price
WWBE3E4083-M	WESTWOOD, Bed, Twin	40 x 83 x 41	\$1,048
WWBE3E5883-M	WESTWOOD, Bed, Full	58 x 83 x 41	\$1,392
WWBE3E6483-M	WESTWOOD, Bed, Queen	64 x 83 x 41	\$1,572
WWBE3E8283-M	WESTWOOD, Bed, King	82 x 83 x 41	\$2,098



71-204

Standard includes:

- Frame: solid hardwood: Maple
- Worksurface: wood veneer or tempered glass
- Full width pull out shelf with 4 cubbies
- Shipped assembled

Part Number	Description	D" x W" x H"	Price
WWDKA12949-M	WESTWOOD, Desk, Veneer Top	29 x 49 x 30	\$2,038
WWDKA62949-M	WESTWOOD, Desk, Glass Top	29 x 49 x 30	\$2,300

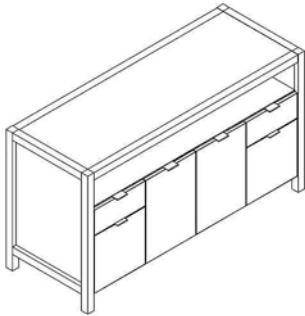


71-204

Standard includes:

- Case: solid hardwood frame with veneer panel inserts: Maple
- Top: wood veneer
- Box/ Box/ File
- Soft close, full extension steel ball bearing slides
- Black metal pulls
- Shipped assembled

Part Number	Description	D" x W" x H"	Price
WWPEM32318-M	WESTWOOD, Movable Pedestal, BBF	23 x 18 x 30	\$1,208

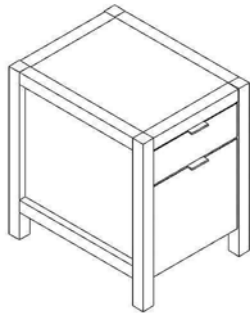


71-204

Standard includes:

- Case: solid hardwood frame with veneer panel inserts: Maple
- Top: wood veneer
- Open, full width shelf
- Box/ File with soft close, full extension steel ball bearing slides
- Two doors open to adjustable shelf behind
- Black metal pulls
- Shipped assembled

Part Number	Description	D" x W" x H"	Price
WWCR1X2360-M	WESTWOOD, Credenza	23 x 60 x 33	\$2,494



71-204

Standard includes:

- Case: solid hardwood frame with veneer panel inserts: Maple
- Top: wood veneer
- Soft close, full extension steel ball bearing slides
- Black metal pulls
- Shipped assembled

Part Number	Description	D" x W" x H"	Price
WWNS1D2318-M	WESTWOOD, Night Stand, 1-Drawer	23 x 18 x 24	\$1,048
WWNS2D2318-M	WESTWOOD, Night Stand, 2-Drawer	23 x 18 x 24	\$1,182

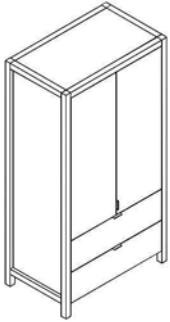


71-204

Standard includes:

- Case: solid hardwood frame with veneer panel inserts: Maple
- Top: wood veneer
- Soft close, full extension steel ball bearing slides
- Black metal pulls
- Shipped assembled

Part Number	Description	D" x W" x H"	Price
WWDR3X2332-M	WESTWOOD, Chest, 3-Drawer	23 x 32 x 33	\$1,444
WWDR5X2332-M	WESTWOOD, Chest, 5-Drawer	23 x 32 x 52	\$1,772
WWDR6X2360-M	WESTWOOD, Chest, 6-Drawer	23 x 60 x 33	\$2,362

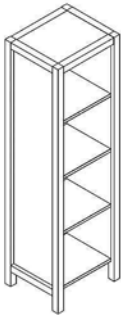


71-204

Standard includes:

- Case: solid hardwood frame with veneer panel inserts: Maple
- Top: wood veneer
- Soft close, full extension steel ball bearing slides
- Black metal pulls
- Cable management grommet in back
- Two drawer interior configuration: 2 adjustable shelves and 2 pull out shelves
- Four drawer interior configuration: 4 adjustable shelves
- Shipped assembled

Part Number	Description	D" x W" x H"	Price
WWWA2A2338-M	WESTWOOD, Armoire, 2-Drawer	23 x 38 x 72	\$2,888
WWWAL92338-M	WESTWOOD, Armoire, 4-Drawer	23 x 38 x 72	\$3,176



71-204

Standard includes:

- Case: solid hardwood frame with veneer panel inserts: Maple
- Top and shelves: wood veneer with matching PVC edge band
- Fixed shelves
- Cutouts for cable management
- Shipped assembled

Part Number	Description	D" x W" x H"	Price
WWBK3S1719-M	WESTWOOD, Bookcase, 3-Shelf, 19" w	17 x 19 x 51	\$918
WWBK3S1727-M	WESTWOOD, Bookcase, 3-Shelf, 27" w	17 x 27 x 51	\$1,048
WWBK4S1719-M	WESTWOOD, Bookcase, 4-Shelf, 19" w	17 x 19 x 66	\$1,182
WWBK4S1727-M	WESTWOOD, Bookcase, 4-Shelf, 27" w	17 x 27 x 66	\$1,286
WWBK5S1719-M	WESTWOOD, Bookcase, 5-Shelf, 19" w	17 x 19 x 81	\$1,352
WWBK5S1727-M	WESTWOOD, Bookcase, 5-Shelf, 27" w	17 x 27 x 81	\$1,510

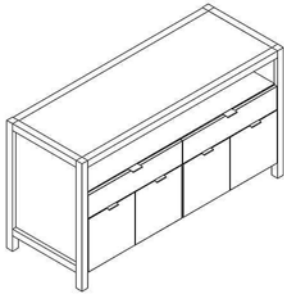


71-204

Standard includes:

- Case: solid hardwood frame with veneer panel inserts: Maple
- Top: wood veneer
- Open, full width shelf
- Three center drawers, full extension steel ball bearing slides
- Two single doors
- Black metal pulls
- Shipped assembled

Part Number	Description	D" x W" x H"	Price
WWSU2D2360-M	WESTWOOD, Storage Cabinet - 2 Door/3-Drawer	23 x 60 x 33	\$2,494

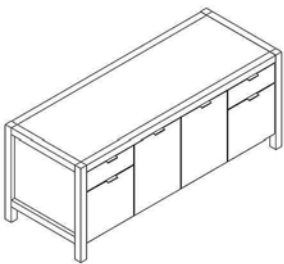


71-204

Standard includes:

- Case: solid hardwood frame with veneer panel inserts: Maple
- Top: wood veneer
- Open, full width shelf
- Two drawers with full extension steel ball bearing slides
- Four single doors with interior adjustable shelf
- Black metal pulls
- Shipped assembled

Part Number	Description	D" x W" x H"	Price
WWSU4D2360-M	WESTWOOD, Storage Cabinet, 4 Door/2-Drawer	23 x 60 x 33	\$2,494

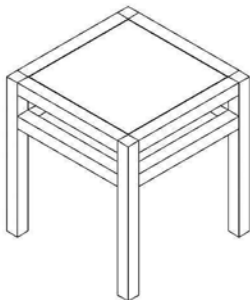


71-204

Standard includes:

- Case: solid hardwood frame with veneer panel inserts: Maple
- Top: wood veneer
- Four drawers with full extension steel ball bearing slides
- Adjustable shelf in middle with cable management cutout, with or without door
- Black metal pulls
- Shipped assembled

Part Number	Description	D" x W" x H"	Price
WWMC2D2360-M	WESTWOOD, Media Storage, 4-Drawer	23 x 60 x 24	\$2,168
WWMC4D2360-M	WESTWOOD, Media Storage, 2 Door/4-Drawer	23 x 60 x 24	\$2,232

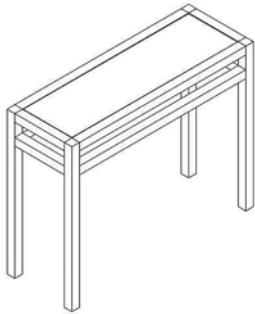


71-204

Standard includes:

- Frame: solid hardwood: Maple
- Top: wood veneer or tempered glass
- Shipped assembled

Part Number	Description	D" x W" x H"	Price
WWTBCG2042-M	WESTWOOD, Coffee Table, Glass Top	20 x 42 x 16	\$1,444
WWTBCX2042-M	WESTWOOD, Coffee Table, Veneer Top	20 x 42 x 16	\$1,182
WWTBEG2020-M	WESTWOOD, End Table, Glass Top	20 x 20 x 22	\$1,050
WWTBEX2020-M	WESTWOOD, End Table, Veneer Top	20 x 20 x 22	\$854

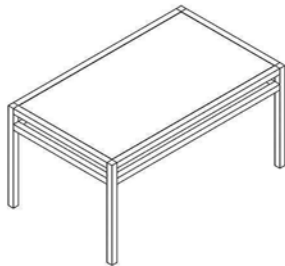


71-204

Standard includes:

- Frame: solid hardwood: Maple
- Top: wood veneer or tempered glass
- Shipped assembled

Part Number	Description	D" x W" x H"	Price
WWTBSG1548-M	WESTWOOD, Sofa Table, Glass Top	15 x 48 x 30	\$1,576
WWTBSX1548-M	WESTWOOD, Sofa Table, Veneer Top	15 x 48 x 30	\$1,378

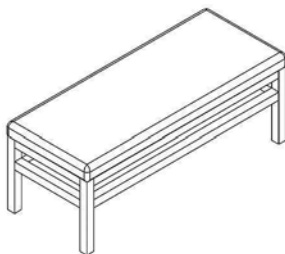


71-204

Standard includes:

- Frame: solid hardwood: Maple
- Top: wood veneer or tempered glass
- Shipped assembled

Part Number	Description	D" x W" x H"	Price
WWTBDG3660-M	WESTWOOD, Dining Table, Glass Top	36 x 60 x 30	\$2,372
WWTBDX3660-M	WESTWOOD, Dining Table, Veneer Top	36 x 60 x 30	\$2,100



71-204

Standard includes:

- Solid hardwood legs: Maple
- Upholstered cushion: base grade fabric
- Shipped assembled

Options available:

- Please call for pricing on Price Grade 4 fabric and above

Part Number	Description	D" x W" x H"	Price	Grade1	Grade2	Grade3
WWBN1X2050+M	WESTWOOD, Bench	20 x 50 x 18	\$1,050	+\$36	+\$72	+\$108